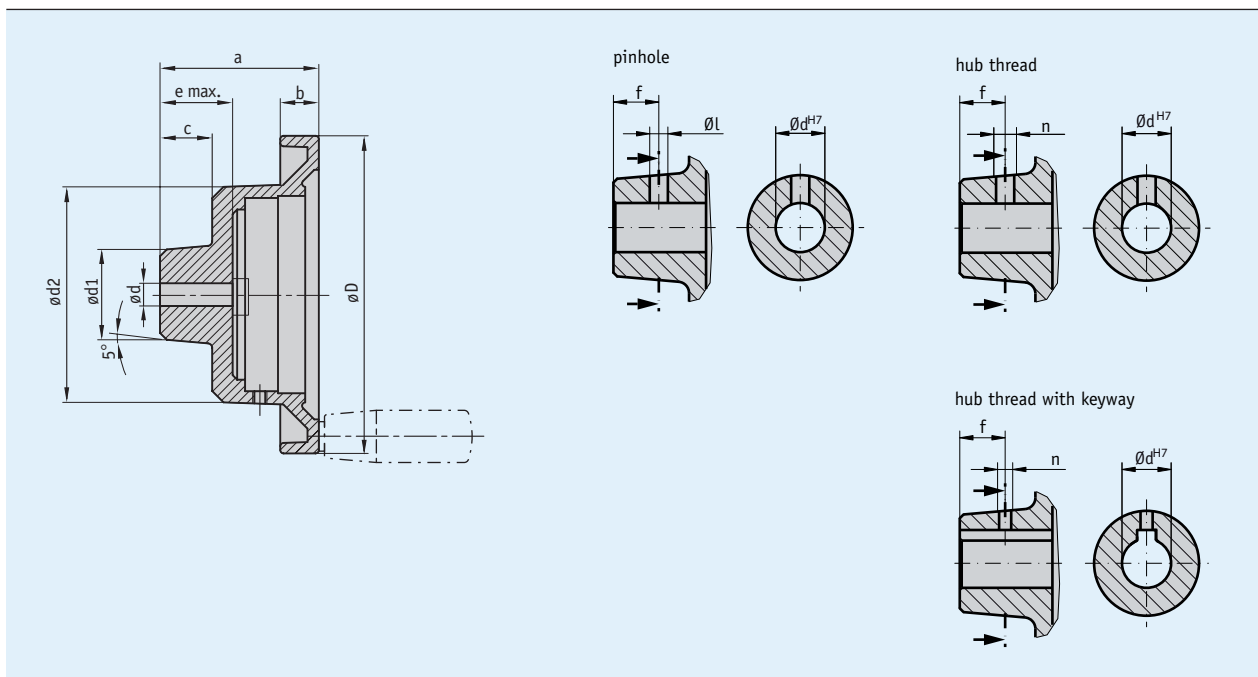


Profile

- Classical handwheel made of aluminum casting
- Various sizes
- Plastic-coated or bright-finished surface
- Various hub versions
- Turning handle as an option (see accessories)



Mechanical data

Feature	Technical data	Additional information
Material	aluminum	
Weight	0.2 kg	HK8
	0.5 kg	HK12
	0.6 kg	HK14
	0.7 kg	HK16
	0.8 kg	HK20

Table of dimensions

Type	øD	ødv	ødx	ød1	ød2	a	b	c	e	GfG	Suitable for
HK8	80	5.8	16	26	60	52	14	20	21	M6	S50/1
HK12	120	6.8	25	40	95	64	15	23	30	M6	S80/1; SZ80/1
HK14	140	6.8	25	40	95	70	17	23	30	M8	S80/1; SZ80/1
HK16	160	7.8	25	40	95	70	20	23	28	M8	S80/1; SZ80/1
HK20	200	7.8	30	45	95	75	22	25	32	M10	S80/1; SZ80/1

dv = d prebored; dx = d max.; GfG = Thread for handle

Special treatment

Handwheel type	HK8				HK12 / HK14 / HK16						
	6 ... 8	9, 10	11, 12	13 ... 16	7*, 8	9, 10	11, 12	13 ... 17	18 ... 21	22	23 ... 25
Bore dH7											
Groove width with keyway JS9		3	4	5		3	4	5	6	6	8
Pin hole	3.8/12	3.8/12	3.8/12	4.8/12	3.8/12	3.8/12	3.8/12	4.8/12	4.8/12	4.8/12	4.8/12
Hub thread without keyway JS9	M4/12	M4/12	M4/12	M6/12	M4/12	M4/12	M4/12	M6/12	M6/12	M6/12	M6/12
Hub thread with keyway JS9		M3/12	M3/12			M3/12	M3/12	M4/12	M5/12		

* only with HK12, HK14

Handwheel type	HK20							
Bore dH7	8	9, 10	11, 12	13 ... 17	18 ... 22	23 ... 25	26	27 ... 30
Groove width with keyway JS9		3	4	5	6	8	8	8
Pin hole	3.8/12	3.8/12	3.8/12	4.8/12	4.8/12	4.8/12	5.8/12	5.8/12
Hub thread without keyway JS9	M4/12	M4/12	M4/12	M6/12	M6/12	M6/12	M8/12	M8/12
Hub thread with keyway JS9		M3/12	M3/12	M4/12	M5/12			

Texts highlighted in orange color are ordering features

Order

Ordering information

One or more system components are required:

Analog position indicator S50/1
 Analog position indicator S80/1
 Analog position indicator SZ80/1

www.siko-global.com
www.siko-global.com
www.siko-global.com

Ordering table

Feature	Ordering data	Specification	Additional information	
handwheel type	8	A	HK8	
	12		HK12	
	14		HK14	
	16		HK16	
	20		HK20	
Surface	B	B	unpainted	
	C		plastic-coated, light gray hammertone	
			others on request	
Handle bore	OG	C	without handle drill hole	
	...		M6 ... M10 with handle drill hole or handle thread	see Table of dimensions; value GFG
Bore diameter	5.8	D	prebored	only with HK8
	6.8		prebored	only with HK12, HK14
	7.8		prebored	only with HK16, HK20
	...		6 ... 30 mm, in steps of 1 mm	see Table of dimensions, maximum value ødx
Feather key groove	OP	E	without keyway	
	JS9		light seat	according to DIN 6885/1 T1
	P9		tight fit	according to DIN 6885/1 T1
Pinhole	OS	F	without pin hole	
	...		diameter "ø"/measure "f" (e.g. 3.8/12)	see table Special processing, depending on the handwheel type, only if keyway is "OP", only if hub thread is "ONG"
			others on request	
Hub thread	ONG	G	without hub thread	
	...		thread "n"/measure "f" (e.g. M4/12)	see table Special processing, depending on the handwheel type, only if pin hole is "OS"
			others on request	
Tapered hub	OAN	H	without turned hub	
			others on request	
Position indicator	PM	I	position indicator mounted	separate ordering of a position indicator required!
	PS		position indicator separate	separate ordering of a position indicator required!

Order key



Scope of delivery: HK...

Accessories:

Handwheel holder BGF
 Handwheel holder BGD
 Handwheel holder UG
 Handwheel holder ZGD

www.siko-global.com
www.siko-global.com
www.siko-global.com
www.siko-global.com