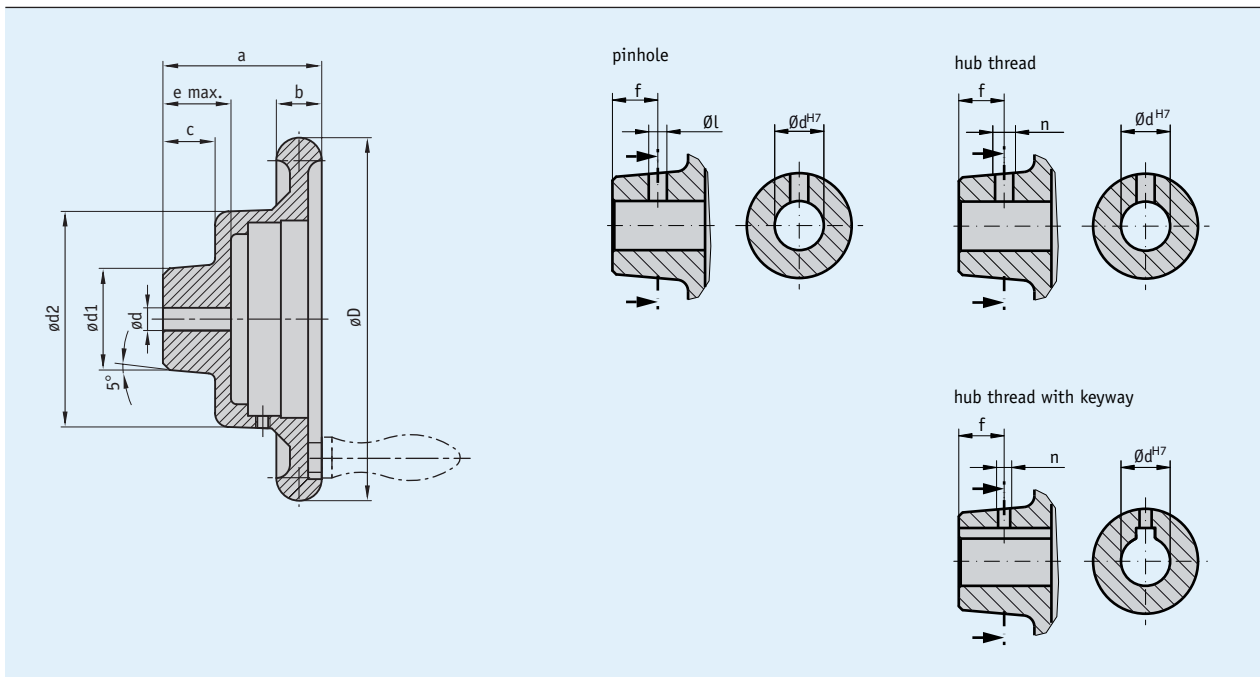


Profile

- Robust handwheel made of aluminum casting
- Rounded design with dirt corners minimized
- Various sizes
- Plastic-coated or bright-finished surface
- Various hub versions
- Turning handle as an option (see accessories)



Mechanical data

Feature	Technical data	Additional information
Material	aluminum	
Weight	0.2 kg	HS8
	0.5 kg	HS12
	0.6 kg	HS14
	0.7 kg	HS16
	0.8 kg	HS18

Table of dimensions

Type	øD	ødv	ødx	ød1	ød2	a	b	c	e	GfG	Suitable for
HS8	80	5.8	16	26	60	55	15	18	20	M6	S50/1
HS12	125	6.8	25	40	95	70	16.5	23	30	M6	S80/1; SZ80/1
HS14	140	6.8	20	32	95	70	18	23	29	M8	S80/1; SZ80/1
HS16	160	7.8	30	45	95	70	20	23	30	M8	S80/1; SZ80/1
HS18	180	7.8	30	45	95	75	22	28	34	M10	S80/1; SZ80/1

dv = d prebored; dx = d max.; GfG = Thread for handle

■ **Special treatment**

Handwheel type	HS8					
Bore dH7	6 ... 8	9, 10	11, 12	13, 14	15	16
Groove width with keyway JS9		3	4	5		
Pin hole	3.8/12	3.8/12	3.8/12	4.8/12	4.8/12	4.8/12
Hub thread without keyway JS9	M4/12	M4/12	M4/12	M6/12	M6/12	M6/12
Hub thread with keyway JS9		M3/12	M3/12			

* not with HS8

Handwheel type	HS12 / HS14							
Bore dH7	7, 8	9, 10	11, 12	13 ... 17	18 ... 20	21**	22**	23 ... 25**
Groove width with keyway JS9		3	4	5	6**	6**	6**	
Pin hole	3.8/12	3.8/12	3.8/12	4.8/12	4.8/12	4.8/126**	4.8/12**	4.8/12**
Hub thread without keyway JS9	M4/12	M4/12	M4/12	M6/12	M6/12	M6/12**	M6/12**	M6/12**
Hub thread with keyway JS9		M3/12	M3/12	M4/12	M5/12**	M5/12**		

**not with HS14

Handradtyp	HS16 / HS18							
Bore dH7	8	9, 10	11, 12	13 ... 17	18 ... 22	23 ... 25	26, 27	28 ... 30
Groove width with keyway JS9		3	4	5	6	8	8	
Pin hole	3.8/12	3.8/12	3.8/12	4.8/12	4.8/12	4.8/126	5.8/12	5.8/12
Hub thread without keyway JS9	M4/12	M4/12	M4/12	M6/12	M6/12	M6/12	M8/12	M8/12
Hub thread with keyway JS9		M3/12	M3/12	M4/12	M5/12			

Texts highlighted in orange color are ordering features

Order

Ordering information

One or more system components are required:

Analog position indicator S50/1

www.siko-global.com

Analog position indicator S80/1

www.siko-global.com

Analog position indicator SZ80/1

www.siko-global.com

Ordering table

Feature	Ordering data	Specification	Additional information	
handwheel type	8	A HS8		
	12		HS12	
	14		HS14	
	16		HS16	
	18		HS18	
Surface	B	B unpainted		
	C		plastic-coated, light gray hammertone	
			others on request	
Handle bore	OG	C without handle drill hole		
	...		M6 ... M10 with handle drill hole or handle thread	see Table of dimensions; value GFG
Bore diameter	5.8	D prebored	only with HS8	
	6.8		only with HS12, HS14	
	7.8		only with HS16, HS18	
	...		6 ... 30 mm, in steps of 1 mm	see Table of dimensions, maximum value ødx
Feather key groove	OP	E without keyway		
	JS9		light seat	according to DIN 6885/1 T1
	P9		tight fit	according to DIN 6885/1 T1
Pinhole	OS	F without pin hole		
	...		diameter "ø"/measure "f" (e.g. 3.8/12)	see table Special processing, depending on the handwheel type, only if keyway is "OP", only if hub thread is "ONG"
			others on request	
Hub thread	ONG	G without hub thread		
	...		thread "n"/measure "f" (e.g. M4/12)	see table Special processing, depending on the handwheel type, only if pin hole is "OS"
			others on request	
Tapered hub	OAN	H without turned hub		
			others on request	
Position indicator	PM	I position indicator mounted	separate ordering of a position indicator required!	
	PS		position indicator separate	separate ordering of a position indicator required!

Order key



Scope of delivery: HS...

Accessories:

Handwheel holder BGF

www.siko-global.com

Handwheel holder BGD

www.siko-global.com

Handwheel holder ZGD

www.siko-global.com

Handwheel holder UG

www.siko-global.com