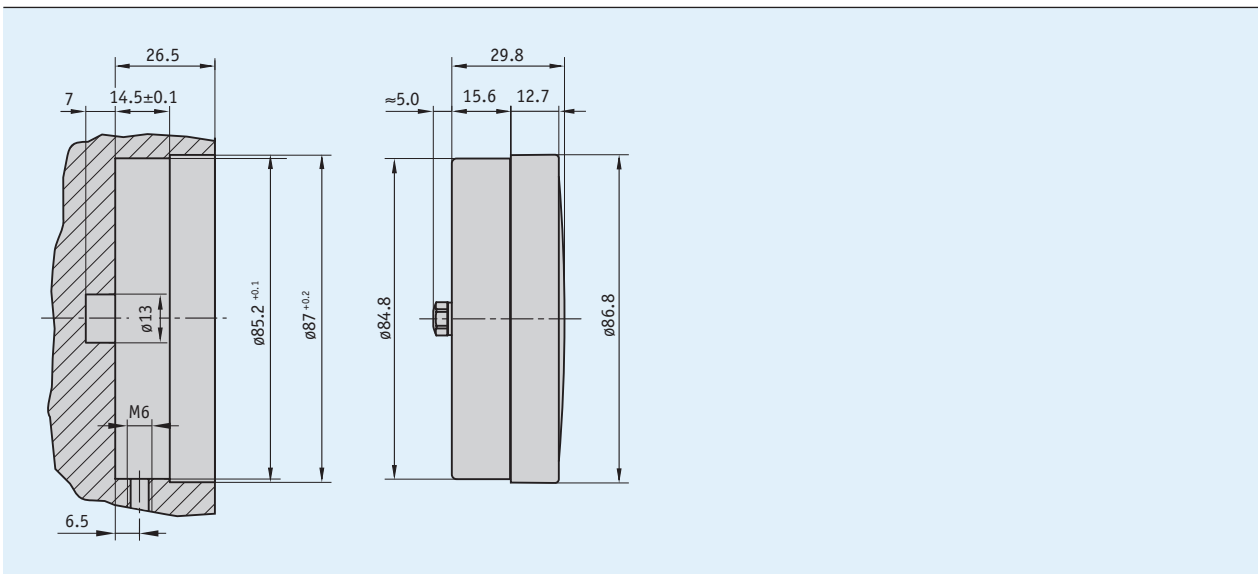


### Profile

- Combined analog-digital position indicator
- Measured value acquisition based on the gravity principle
- High stability thanks to doubly supported pointer shaft
- Very robust, glass-fiber reinforced plastic housing
- Counter with 5 decades
- Special scales, also for small numbers of pieces
- Dustproof or oil-filled versions



### Mechanical data

Feature	Technical data	Additional information
Housing	reinforced plastic	
Weight	0.2 kg	N and W design
	0.3 kg	P design

## Order

### Ordering information

One or more system components are required:

Handwheel HR...	www.siko-global.com
Handwheel HST...	www.siko-global.com
Handwheel HK...	www.siko-global.com
Handwheel HS...	www.siko-global.com
Handwheel HG...	www.siko-global.com
Handwheel KHB...	www.siko-global.com

### Ordering table

Feature	Ordering data	Specification	Additional information
Version	N	dust-proof	
	P	oil-filled	
Indication after 1st revolution	...	2, 2/5, 3, 4, 5, 6, 8, 10, 15	
	B	others on request	
Decimal place	0	0 = 00000	
	1	1 = 0000.0	
	2	2 = 000.00	
	3	3 = 00.000	
	4	4 = 0.0000	
Sense of rotation	i	clockwise ascending values	
	e	counter-clockwise ascending values	
Pointer	1	1:1 running	
	OZ	without pointer	
Covering glass	S	plastic	
	A	synthetic material, acetone-resistant	
Scale	N..	normal scale	related to display after 1st revolution
	VK..	special scale	customer-specific, no VK for first production
Multi-color scale	C1	1-colored	
	C2	2-colored	
	C3	3-colored	

### Order key



Scope of delivery: SZ80/1