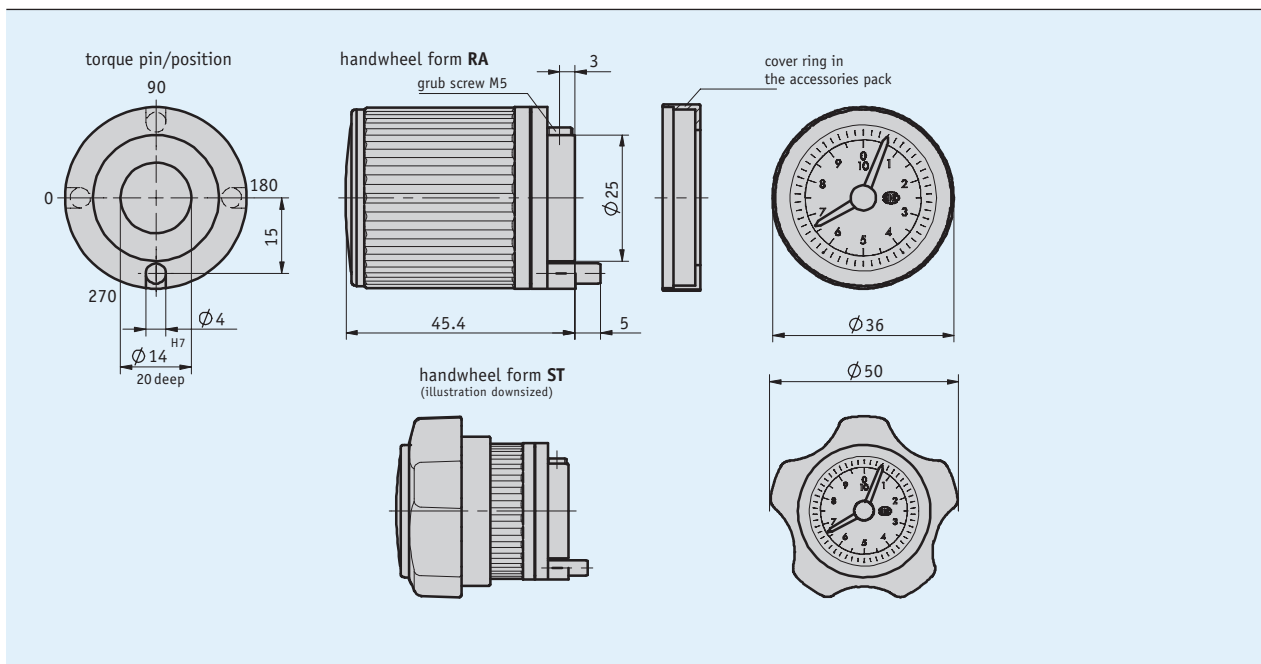


Profile

- Control knob with integrated position indicator
- Shaft support: max. \varnothing 14 mm
- Front analog display
- Various gear ratios
- Special scales, also for non-linear settings
- Star wheel as an option



Mechanical data

Feature	Technical data	Additional information
Housing	plastic	
Weight	0.07 kg	

Ambient conditions

Feature	Technical data	Additional information
Ambient temperature	0 ... 80 °C	

Order

Ordering table

Feature	Ordering data	Specification	Additional information
Gear ratio	... A	2, 3, 6, 10, 12, 15, 18, 20, 24, 30, 36, 48 others on request	
Sense of rotation	i	clockwise ascending values	
	e	counter-clockwise ascending values	
Pointer	1	red with transmission	
	2	red with transmission + black 1:1	
Scale	N..	normal scale	related to display after 1st revolution
	VK..	special scale	customer-specific, no VK for first production
Multi-color scale	C1	1-colored	
	C2	2-colored	
	C3	3-colored	
Hollow shaft/diameter	14	∅14 mm	
	...	RH8, RH10, RH12	reducing bushes
		others on request	
Torque pin/position	270	see drawing	
	0	see drawing	
	90	see drawing	
	180	see drawing	
Handwheel form	RA	knurled handle	
	ST	star knob	
Handwheel color	FR	red RAL 3000	
	S	black RAL 9005	
Cover ring	0	without cover ring	
	M	cover ring supplied	

Order key

DK03 - - - - - - - - - -

A B C D E F G H I J

Scope of delivery: DK03

Accessories:

Reduction sleeve RH

page 132

Additional information:

General information and areas of application

page 68

Drawing aid for scales

page 146