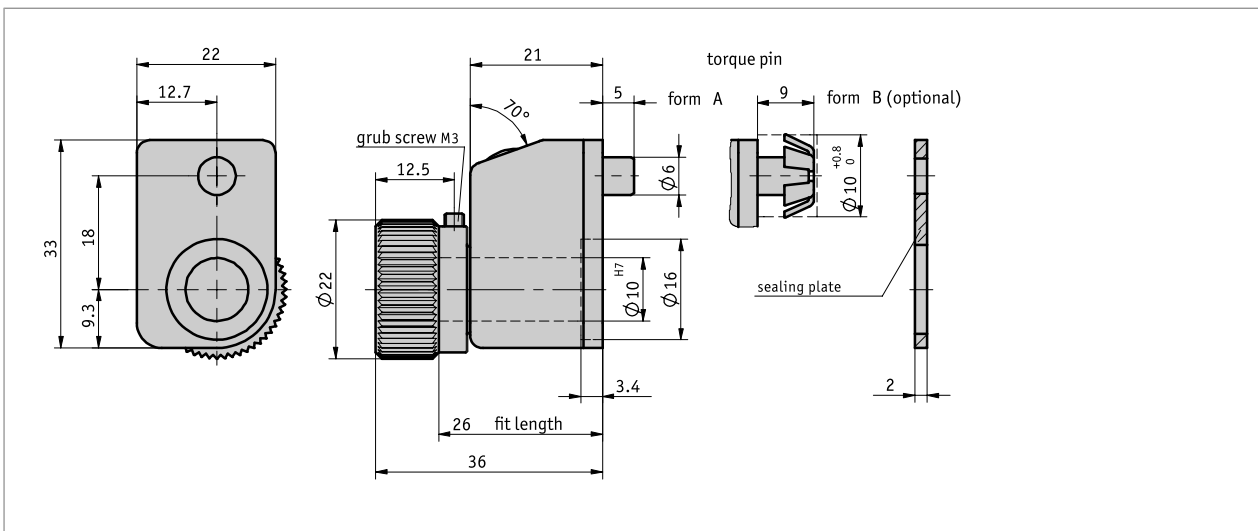


Profile

- Miniature control knob
- Shaft support: max. \varnothing 10 mm
- front display
- Counter with 3 decades
- Display can be designed for "mm" or "inch"
- Housing color: orange or black



Mechanical data

Feature	Technical data	Additional information
shaft	anodized aluminum (supported in friction bearings)	
Housing	reinforced plastic	
Counter	3 Decades	
Digit height	~4 mm	
Weight	~0.02 kg	

Ambient conditions

Feature	Technical data	Additional information
Ambient temperature	0 ... 80 °C	

Control knob DK05

Miniaturized design with digital display

Order

Ordering information

Display	Mounting position				Counting direction

Note: Highlights in orange are order features.

Ordering table

Feature	Ordering data	Spezifikation	Additional information
Mounting position	A ...	02, 04, 06, 07	see the icons illustrating the mounting positions
indication after 1st revolution	B 7/5 ... 12/5 ... 17/5 ...	10, 100 15 20, 25, 30, 40, 50, 60, 80 others on request	/5 = arithmetical value not displayed
decimal place	C 0 1 2	0 = 000 1 = 00.0 2 = 0.00	
Counting direction	D i e	clockwise ascending values counter-clockwise ascending values	
hollow shaft/diameter	E 10 ...	ø10 mm RH6, RH8 others on request	reducing bushes
Color	F 0 S	orange RAL 2004 black RAL 9005	

Order key



	Scope of delivery: DK05
	Accessories you can find: Adapter sleeve RH

www.siko-global.com