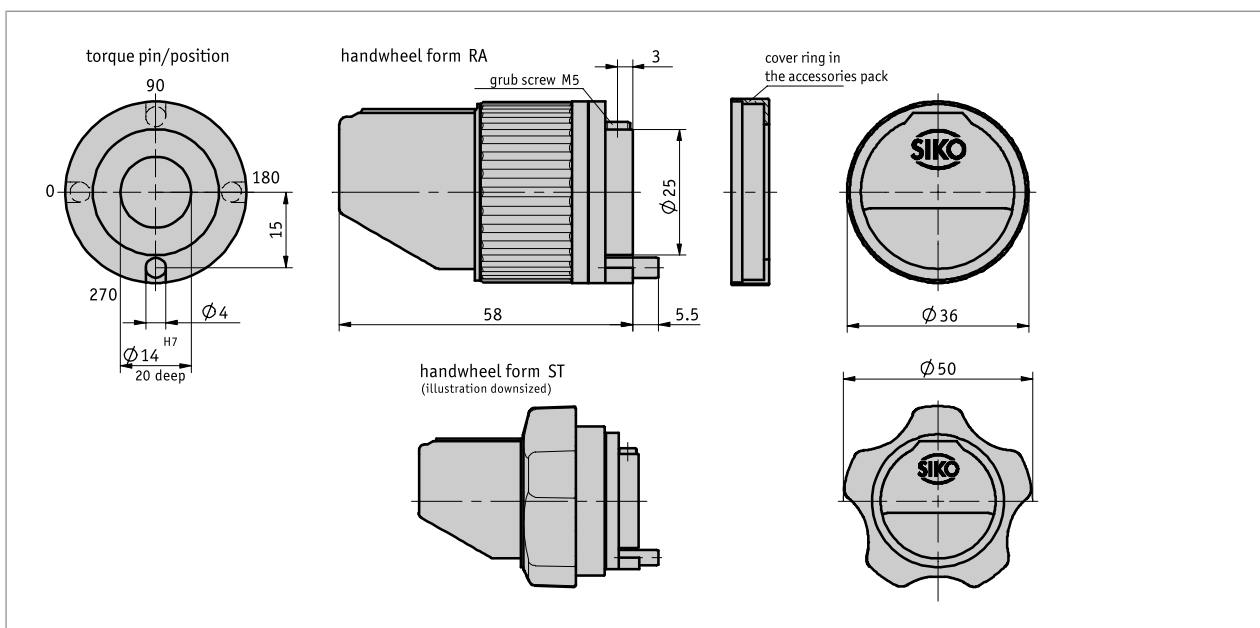


Profile

- Control knob with integrated position indicator
- Shaft support: max. \varnothing 14 mm
- Counter with 4 decades and fine reading
- Various display values
- Star wheel as an option



Mechanical data

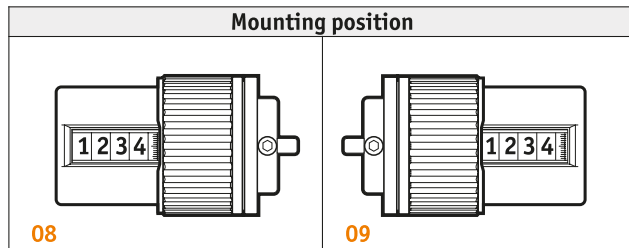
Feature	Technical data	Additional information
Housing	plastic	
Sight window	plastic	mineral glass as an option
Counter	4 Decades with fine reading	
Digit height	~6 mm	
Weight	0.06 kg	

Ambient conditions

Feature	Technical data	Additional information
Ambient temperature	0 ... 80 °C	

Order

■ Ordering information



Note: Highlights in orange are order features.

■ Ordering table

Feature	Ordering data	Spezifikation	Additional information
Mounting position	A 08 09	left-side right-side	
indication after 1st revolution	B ...	12/5, 15, 17/5, 20, 25, 30, 40, 50, 100 others on request	/5 = arithmetical value not displayed
decimal place	C 0 1 2 3	0 = 0000 1 = 000.0 2 = 00.00 3 = 0.000	
Counting direction	D i e	clockwise ascending values counter-clockwise ascending values	
hollow shaft/diameter	E 14 ...	ø14 mm RH8, RH10, RH12 others on request	reducing bushes
torque pin/position	F 270 0 90 180	see drawing see drawing see drawing see drawing	
handwheel form	G RA ST	knurled handle star knob	
cover ring	H 0 M	without cover ring cover ring supplied	

■ Order key



	Scope of delivery: DK02
	Accessories you can find: Adapter sleeve RH

www.siko-global.com