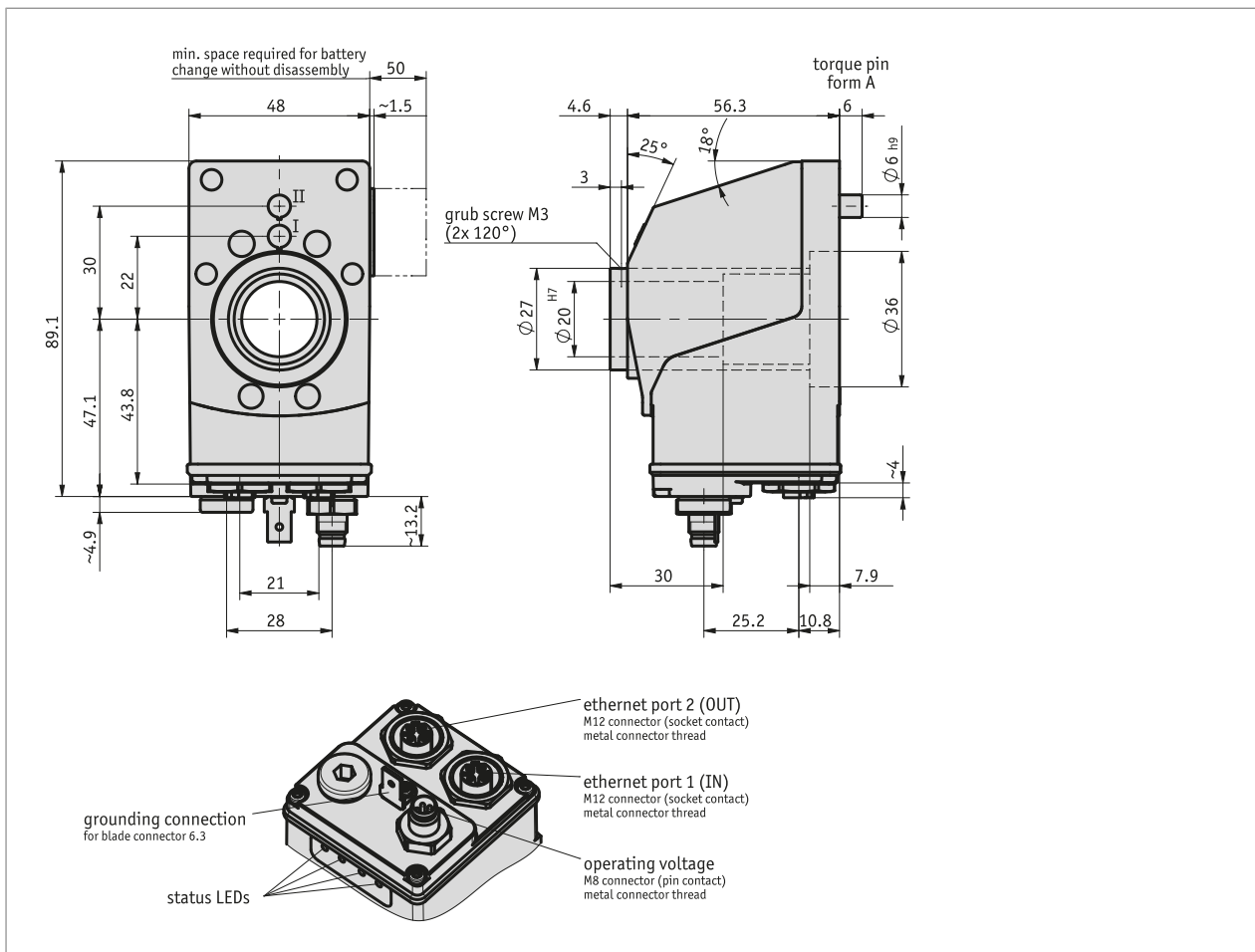


Profile

- Integrated Industrial-Ethernet-Fieldbus
- Backlit two-row LCD
- Display of target and actual value displays with integrated alignment
- Stainless-steel hollow shaft $\varnothing 20$ mm, up to $\varnothing 25.4$ mm as an option
- Robust sensor technology unit thanks to magnetic scanning
- User guidance through status LEDs
- Mechanically compatible with the DA09S and AP10 position indicators
- IP53 protection class, IP65 as an option
- Industry 4.0 ready



Mechanical data

Feature	Technical data	Additional information
shaft	rustproof stainless steel	
Housing	reinforced plastic	plug thread, nickel-plated brass/cover, metal ground connection
Color	black	
Speed	≤ 500 min ⁻¹	
Weight	~ 0.3 kg	

Electrical data

Feature	Technical data	Additional information
Operating voltage	24 V DC ±20 %	
Current consumption	~100 mA	
Battery service life	~8 Year(s)	
Parameter storage	10 ⁶ cycles	also applies to calibration operations
Display/display range	6-digit LCD 14-segment, ~8 mm high -199999 ... 999999	decimal points, 2 rows, special characters (backlit LED red/white) expanded display area to -999999
Special character	cw arrow, ccw arrow, incremental measurement, battery	
Status display	2x two-color LED (red/green)	position status, configurable
Keys	incremental measurement function, parameterizing, resetting	
Interface	EtherNet/IP PROFINET EtherCAT POWERLINK	
Type of connection	1x M8-plug connector (A-coded) 2x M12 plug connectors (D-coded) grounding via flat connector 6.3 mm	4-pole, 1x pin 4-pole, 2x socket

System data

Feature	Technical data	Additional information
Scanning	magnetic	
Resolution	880 Increments/revolution	displayed value/rotation freely configurable
Measuring range	≤190650 rotation(s)	

Ambient conditions

Feature	Technical data	Additional information
Ambient temperature	0 ... 60 °C	
Storage temperature	-20 ... 80 °C	
Relative humidity		condensation inadmissible
EMC	EN 61326-1	immunity requirement of industrial applications, emission limit class B
Protection category	IP53 IP65	EN 60529, only with mating connector EN 60529, only with mating connector
Shock resistance	500 m/s ² , 11 ms	EN 60068-2-27
Vibration resistance	<100 m/s ² , 5 ... 150 Hz	EN 60068-2-6

pin assignment

■ Ethernet

Signal	PIN
Tx+	1
Rx+	2
Tx-	3
Rx-	4

■ Operating voltage

Signal	PIN
reserved	1
reserved	2
+UB	3
GND	4

Industry 4.0

In most cases, data exchange with the position indicators is limited to the exchange of process data. In addition to the process data, intelligent displays provide additional information that can be evaluated for condition monitoring up to predictive maintenance:

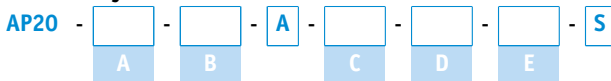
Process data	Smart Value	Smart Function
Actual position	Battery voltage	Battery change planning
"Target position"	Presence, distance, alignment sensor	Counting error

Order

■ Ordering table

Feature	Ordering data	Spezifikation	Additional information
interface/protocol	A	ECT	EtherCAT
		EIP	EtherNet/IP
		EPL	POWERLINK
		EPN	PROFINET
hollow shaft/diameter	B	20	∅20 mm
		25.4	∅25.4 mm
		RH14	∅14 mm
torque pin/position	C	II	distance 30 mm
		I	distance 22 mm
Protection category	D	IP53	IP53
		IP65	IP65
Sight window	E	SF	front foil
		K	plastic

■ Order key



Scope of delivery:

AP20, Installation Instructions



Accessories you can find:

Pneumatic clamping plate KP09P
 Clamping plate KPL09
 Cable extension KVO4S1
 Battery unit ZB1027
 Adapter sleeve RH09
 Overview, Mating connector
 Mating connector, 4-pole, socket
 Mating connector, 4-pole, angular pin
 Mating connector, 4-pole, pin
 Intermediate plate

www.siko-global.com
 www.siko-global.com
 www.siko-global.com
 www.siko-global.com
 www.siko-global.com
 www.siko-global.com
 Order key 84209
 Order key 87600
 Order key 87601
 Order key 89908