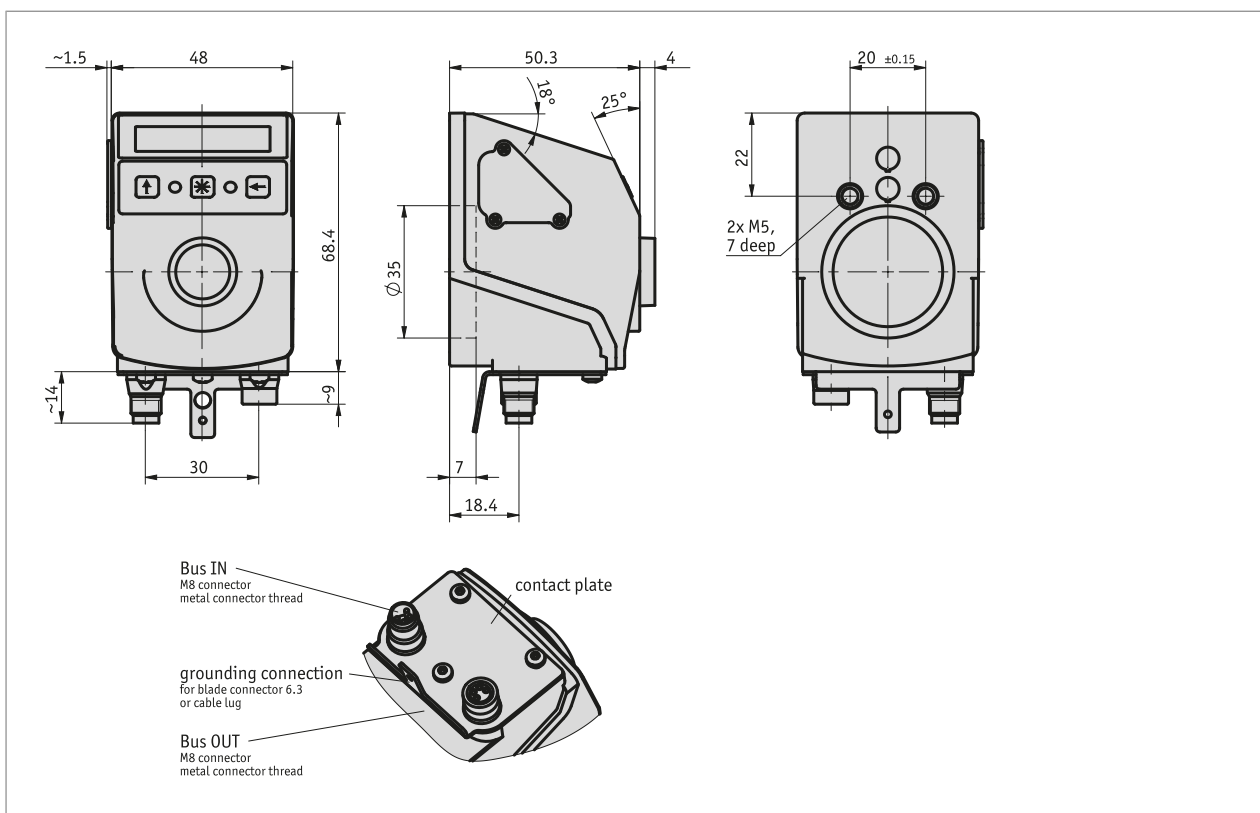


Setpoint display AP10T

with bus interface, for format part or tool change

Profile

- Setpoint display with bus interface without measurement of actual value
- Large control key to confirm target value
- Optimally readable backlit display
- Two-line LCD-Display
- Integrated RS485 interface, CAN bus as an option
- User guidance via bicolor status LEDs
- IP53 protection class, IP65 as an option



Mechanical data

Feature	Technical data	Additional information
Housing	reinforced plastic	plug thread, nickel-plated brass/cover, metal ground connection
Color	black, RAL 9005	
Weight	~0.09 kg	

Setpoint display AP10T

with bus interface, for format part or tool change

Electrical data

Feature	Technical data	Additional information
Operating voltage	24 V DC ±20 %	
Current consumption	~30 mA	when operated with LEDs additionally ~3 mA per LED
Power input	~0.72 VA	max. power supply of the power supply unit used: 100 VA. The power supply used corresponds to SELV/Limited Energy (IEC 61010-1) or SELV/LPS (IEC 60950-1) or Class 2 (UL 1310).
Parameter storage	10 ⁵ cycles	also applies to calibration operations
Display/display range	6-digit LCD 14-segment, ~8 mm high	decimal points, 2 rows, (backlit LED red/white)
Status display	2x two-color LED (red/green)	acknowledgment status, configurable
Keys	acknowledgment, parameterization	
Bus connection	RS485, CANopen	no galvanic isolation
Type of connection	2x M8 plug connectors (A-coded) grounding via flat male tab 6.3 mm or terminal lug	4-pole, 1x socket, 1x pin

System data

Feature	Technical data	Additional information
Approval	UL	UL 61010-1, File No. E503367

Ambient conditions

Feature	Technical data	Additional information
Ambient temperature	0 ... 60 °C	
Storage temperature	-20 ... 80 °C	
Relative humidity		condensation inadmissible
EMC	EN 61326-1	Industry immunity requirement, class B emission limit, shielded line required
Safety regulations	DIN EN 61010-1 (VDE 0411-1), UL 61010-1	Limited power supply according to DIN EN 61010-1 Section 9.4. Protection class II Surge category II Pollution level 2
Protection category	IP53 IP65	EN 60529, with mating connectors (degree of protection not tested by UL) EN 60529, with mating connectors (degree of protection not tested by UL)
Shock resistance	500 m/s ² , 11 ms	EN 60068-2-27
Vibration resistance	<100 m/s ² , 5 ... 150 Hz	EN 60068-2-6

pin assignment

■ Interfaces

RS485	CAN-Bus	PIN
TxRx-/DUB	CANL	1
TxRx+/DUA	CANH	2
+24 V DC	+24 V DC	3
GND	GND	4

Order

■ Ordering table

Feature	Ordering data	Spezifikation	Additional information
interface/protocol	A S3/09 CAN	RS485/SIKONETZ5 CANopen	
Protection category	B IP53 IP65	IP53 IP65	
Sight window	C SF K	front foil plastic	impact protection

■ Order key

AP10T - - - EX - - S

A
B
C



Scope of delivery:

AP10T, Documentation on CD, Installation Instructions



Accessories you can find:

Cable extension KV04S1

Overview, Mating connector

Mating connector, 4-pole, socket

Mating connector, 4-pole, pin

Bus terminating connector, 4-pole, pin

www.siko-global.com

www.siko-global.com

Order key 84209

Order key 84210

Order key BAS-0005