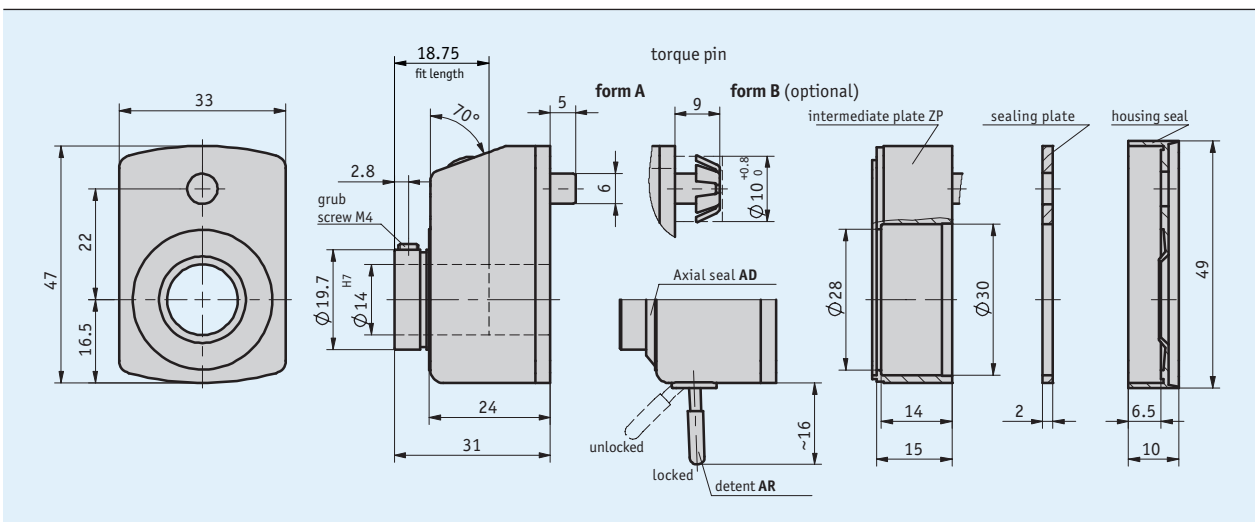


Profile

- Hollow shaft, max. Ø 14 mm
- Counter with 4 decades and fine reading
- Detent as an option
- Magnifying function for good readability
- Stainless-steel driving shaft as an option
- Axial seal, dustproof and splash-proof
- Clamping plate (see accessories)



Mechanical data

Feature	Technical data	Additional information
Housing	reinforced plastic	
Sight window	plastic	mineral glass as an option
Counter	4 decades, fine reading	
Digit height	~6 mm	
Weight	0.05 kg	

Max. speed

Display (after 1st revolution)	max. speed [rpm]
0010	500 (1500)
0015	500 (1000)
0020	500 (750)
0025	500 (600)
0030	500
0040	375
0050	300
0060	250
0080	180
0100	150

Formula:

$$\text{max. speed} = \frac{15000}{\text{indication after 1st revolution}}$$

Speeds >500 rpm must only be run for short periods.

Ambient conditions

Feature	Technical data	Additional information
Ambient temperature	0 ... 80 °C	

Order

Ordering information

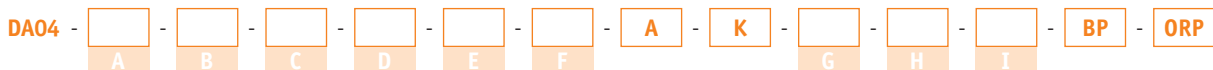
Display	Mounting position				Counting direction
	 02	 04	 06	 07	 e i

Hint: Texts highlighted in orange color are ordering features

Ordering table

Feature	Ordering data	Specification	Additional information
Mounting position	... A	02, 04, 06, 07	see the icons illustrating the mounting positions
Indication after 1st revolution	... B	10, 12/5, 15, 17/5, 20, 25, 30, 35, 40, 50, 60, 80, 100 others on request	/5 = arithmetical value not displayed
Decimal place	0 1 2 3 C	0 = 0000 1 = 000.0 2 = 00.00 3 = 0.000	
Counting direction	i e D	clockwise ascending values counter-clockwise ascending values	
Hollow shaft/diameter E	12.7, 14, 15, 16 in mm VA5, VA10, VA14, VA15 RH4, RH6, RH8, RH10, RH12	stainless steel reducing bushes
Color	0 S GR FR F	orange RAL 2004 black RAL 9005 gray RAL 7035 red RAL 3000	
Seal	OAD AD GD G	without additional seal with axial seal with axial and housing seal	sealing plate not applicable
Detent/hollow shaft	OAR AR H	without lock with lock	vibration protection M ~20 Ncm, only with "0" or "S" housing color
Intermediate plate	OZP ZP I	without intermediate plate with intermediate plate	not with seal "GD"

Order key



Scope of delivery: DA04

Accessories:

Reduction sleeve RH
Clamping plate KP04
Clamping plate KPLO4

www.siko-global.com
www.siko-global.com
www.siko-global.com