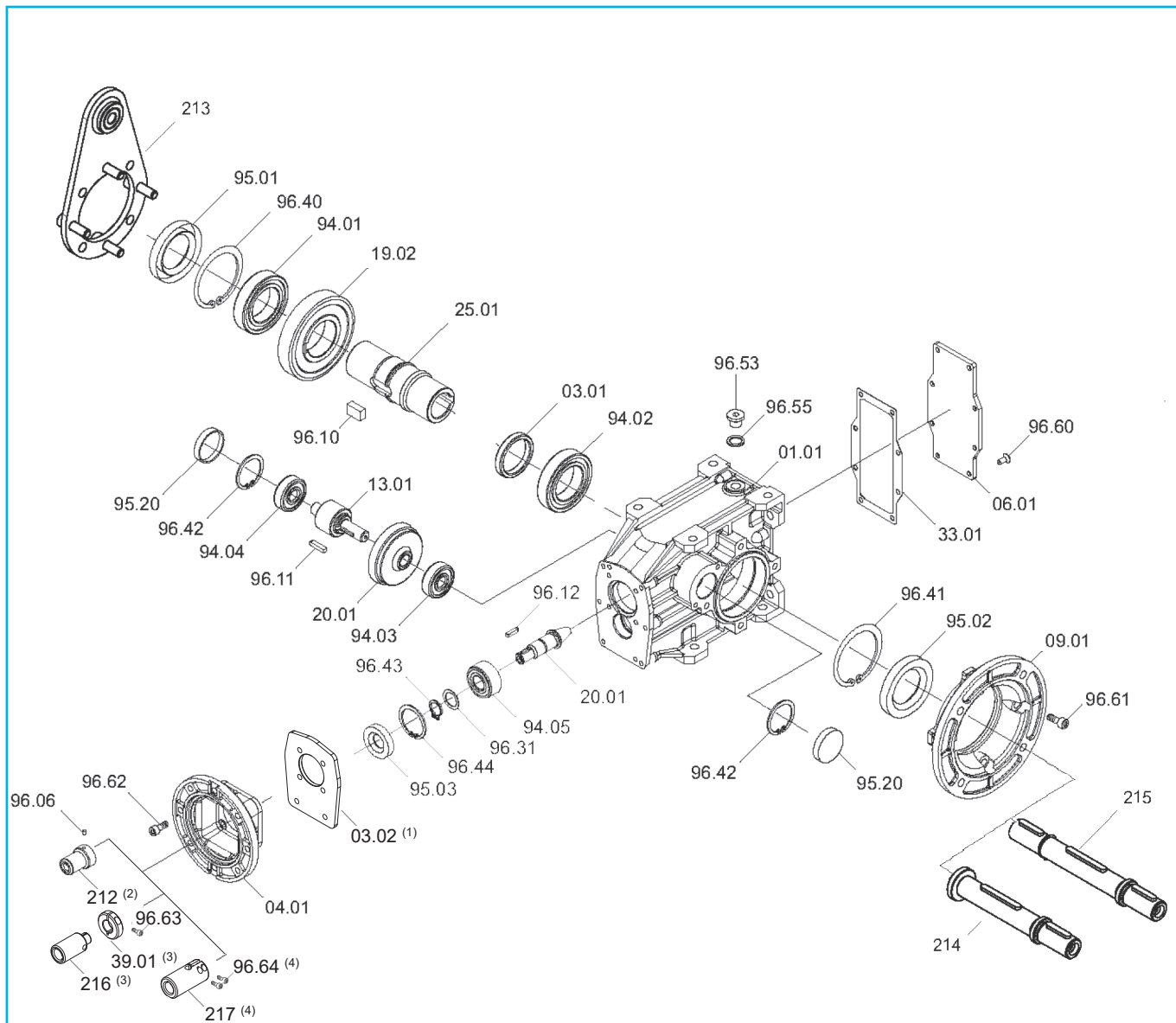


## TA/TF 56B - TA/TF 63B - TA/TF 75B



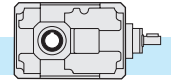
T	Cuscinetti/ Bearings / Lager					Anelli di tenuta / Oilseals / Öldichtungen			Cappellotto / Closed oil seal / Geschlossene Öldichtung
	94.01	94.02	94.03	94.04	94.05	95.01	95.02	95.03	95.20
<b>56B</b>	<b>6007</b> 35/62/14	<b>6007</b> 35/62/14	<b>6201</b> 12/32/10	<b>6201</b> 12/32/10	<b>3201</b> 12/32/15.9	35/62/7	35/62/7	<b>12/32/7</b>	ø 32x7
<b>63B</b>	<b>6008</b> 40/68/15	<b>6008</b> 40/68/15	<b>6301</b> 12/37/12	<b>6301</b> 12/37/12	<b>3202</b> 15/35/15.9	40/68/10	40/68/10	<b>15/35/7</b>	ø 37x7
<b>75B</b>	<b>6010</b> 50/80/16	<b>6010</b> 50/80/16	<b>6203</b> 17/40/12	<b>6203</b> 17/40/12	<b>3202</b> 15/35/15.9	50/80/8	50/80/8	<b>15/35/7</b>	ø 47x7

(1) Solo per TF75B PAM 71, 80, 90 / Only for TF75B PAM 71, 80, 90 / Nur für T75B PAM 71, 80, 90.

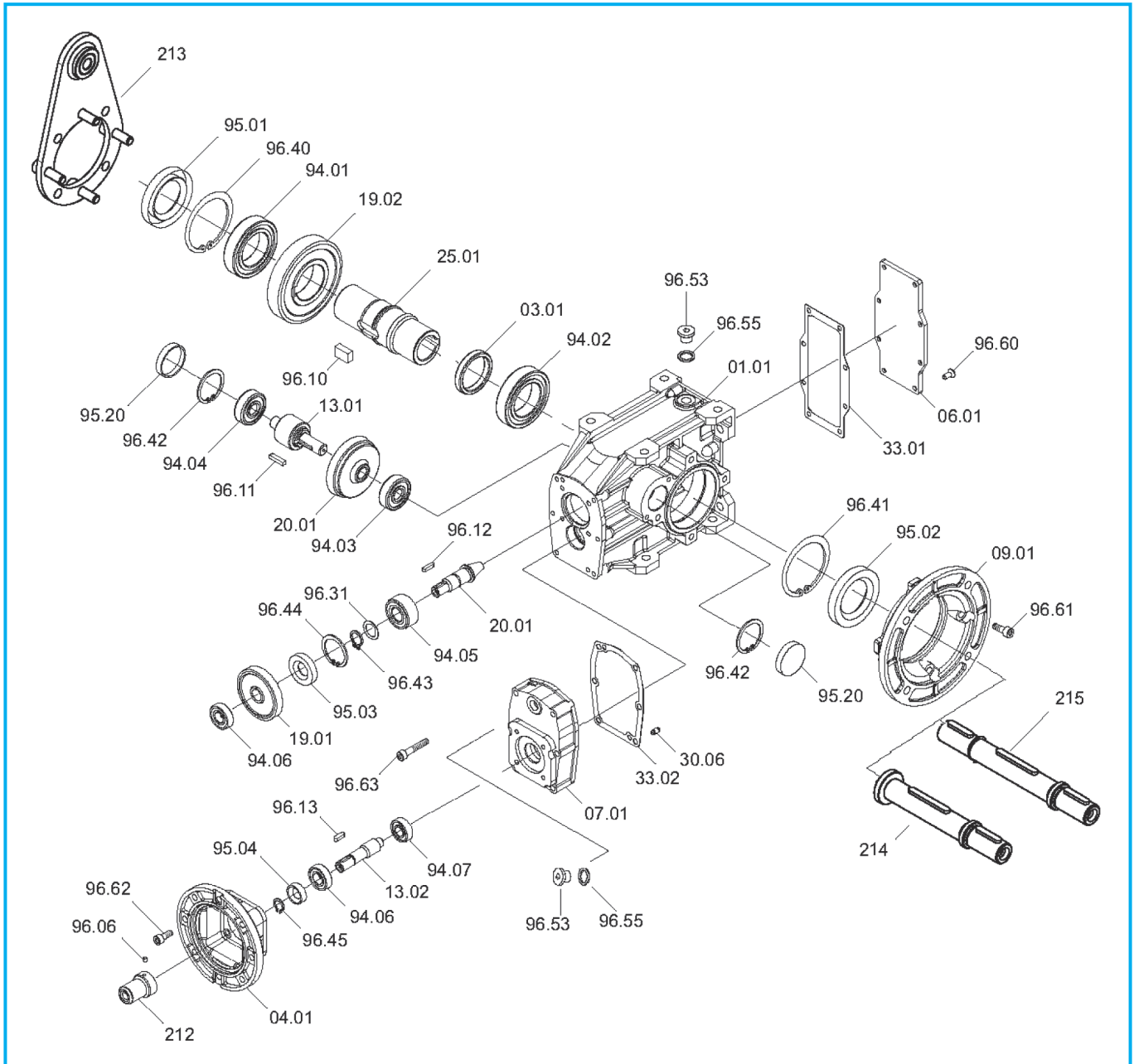
(2) Solo per TF56B e TF63B PAM 56, 63 / Only for TF56B and TF63B PAM 56, 63 / Nur für TF56B und TF63B PAM 56, 63.

(3) Solo per TF56B e TF63B PAM 71, 80, 90 / Only for TF56B and TF63B PAM 71, 80, 90 / Nur für TF56B und TF63B PAM 71, 80, 90.

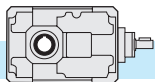
(4) Solo per TF75B tutti i PAM / Only for TF75B all PAM / Nur für TF75B alle PAM.



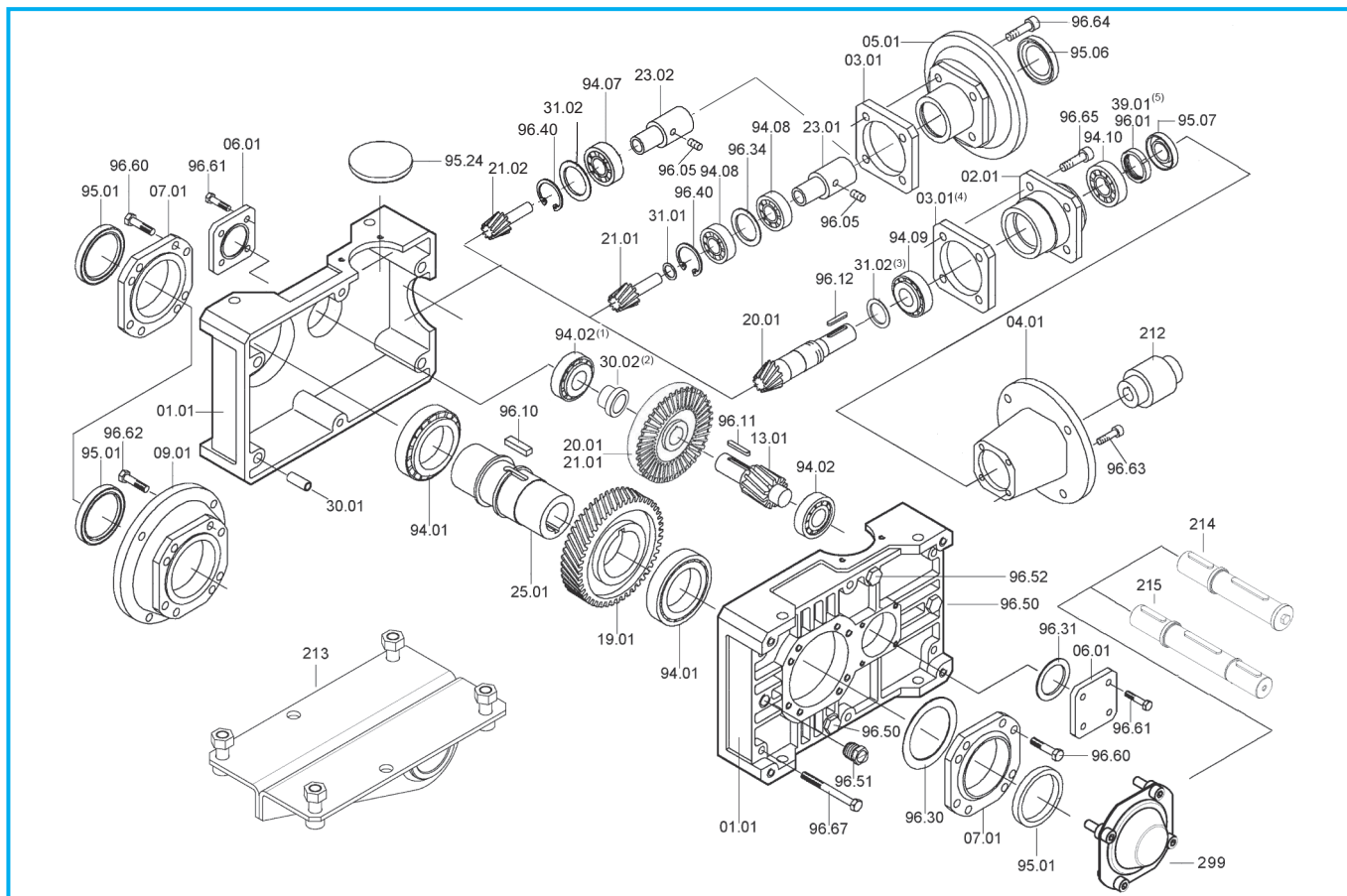
## TA/TF 56C - TA/TF 63C - TA/TF 75 C



T	Cuscinetti/ Bearings / Lager								Anelli di tenuta / Oilseals / Öldichtungen				Cappellotto / Closed oil seal / Geschlossene Öldichtung
	94.01	94.02	94.03	94.04	94.05	94.06	94.07	94.08	95.01	95.02	95.03	95.04	95.20
<b>56C</b>	6007 35/62/14	6007 35/62/14	6201 12/32/10	6201 12/32/10	3201 12/32/15.9	6001 12/28/8	6000 10/26/8	6001 12/28/8	35/62/7	35/62/7	12/32/7	12/22/7	ø 32x7
<b>63C</b>	6008 40/68/15	6008 40/68/15	6301 12/37/12	6301 12/37/12	3202 15/35/15.9	6001 12/28/8	6000 10/26/8	6001 12/28/8	40/68/10	40/68/10	15/35/7	12/22/7	ø 37x7
<b>75C</b>	6010 50/80/16	6010 50/80/16	6203 17/40/12	6203 17/40/12	3202 15/35/15.9	6002 16/32/9	6000 10/26/8	6001 12/28/8	50/80/8	50/80/8	15/35/7	12/22/7	ø 47x7



## TA..B - TC..B - TF..B



T	Cuscinetti/ Bearings / Lager					Anelli di tenuta / Oilseals / Öldichtungen						
	TA - TC - TF		TC		TA - TF		TA - TC - TF	TC		TA - TF		
	94.01	94.02	94.07	94.08	94.09	94.10	95.01	IEC	95.06	95.07		
<b>71B</b>	<b>32008</b>	<b>30302</b>	<b>3203</b>	<b>7203</b>	<b>30203</b>	17/40/13.25	40/56/8	<b>63</b>	<b>25/52/7</b>	<b>15/40/10</b>		
	40/68/19	15/42/14.25	17/40/17.5 (i= 50, 63, 80)	17/40/12				<b>71</b>	<b>30/52/7</b>			
								<b>80</b>	<b>35/52/7</b>			
								<b>90</b>	<b>37/52/8</b>			
<b>90B</b>	<b>32010</b>	<b>30204</b>	<b>3205</b>	<b>7205</b>	<b>32005</b>	25/47/15	50/65/8	<b>71 - 80</b>	<b>35/62/7</b>	<b>20/47/7</b>		
	50/80/20	20/47/15.25	25/52/20.6 (i= 50, 63, 80)	25/52/15				<b>90</b>	<b>40/62/7</b>			
								<b>100 - 112</b>	<b>45/62/8</b>			
								<b>80 - 90</b>	<b>40/72/7</b>			
<b>112B</b>	<b>32012</b>	<b>30305</b>	<b>3206</b>	<b>7206</b>	<b>32006</b>	30/55/17	60/80/10	<b>100 - 112</b>	<b>45/72/8</b>	<b>25/58/10</b>		
	60/95/23	25/62/18.25	30/62/23.8 (i= 50, 63, 80)	30/62/16				<b>132</b>	<b>55/72/10</b>			
								<b>80 - 90</b>	<b>45/80/10</b>			
								<b>100 - 112</b>	<b>45/80/10</b>			
<b>140B</b>	<b>32015</b>	<b>32206B</b>	<b>3207</b>	<b>7207</b>	<b>32007</b>	35/62/18	75/95/10	<b>132</b>	<b>55/80/10</b>	<b>30/62/7</b>		
	75/115/25	30/62/21.25	35/72/27 (i= 50, 63, 80)	35/72/17				<b>160</b>	<b>60/80/8</b>			
								<b>180</b>	<b>65/80/8</b>			
								<b>100 - 112</b>	<b>55/100/13</b>			
								<b>132 - 160</b>	<b>60/100/10</b>			
<b>180B</b>	<b>32019</b>	<b>31307</b>	—	<b>7209</b>	<b>33109</b>	45/80/26	95/125/12	<b>180</b>	<b>65/100/10</b>	<b>40/80/10</b>		
	95/145/32	35/80/22.75							45/85/19		<b>200</b>	<b>75/100/10</b>
		<b>32208</b> (1)						<b>100 - 112</b>	<b>55/100/13</b>			
		40/80/24.75						<b>132 - 160</b>	<b>60/100/10</b>			
<b>200B</b>	<b>32024</b>	<b>31309</b>	—	<b>7209</b>	<b>33109</b>	45/80/26	120/160/15	<b>180</b>	<b>65/100/10</b>	<b>40/80/10</b>		
	120/180/38	45/100/27.25							45/85/19		<b>200</b>	<b>75/100/10</b>
<b>225B</b>	<b>32026</b>	<b>31310</b>	—	—	<b>33211</b>	55/100/35	130/160/12	—	—	<b>75/100/10</b>		

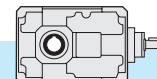
(1) Presente solo nella versione con antiretro / Only on version with back stop device / Nur für die Version mit Rücklaufsperre

(2) Solo per T200B / Only for T200B / Nur für T200B

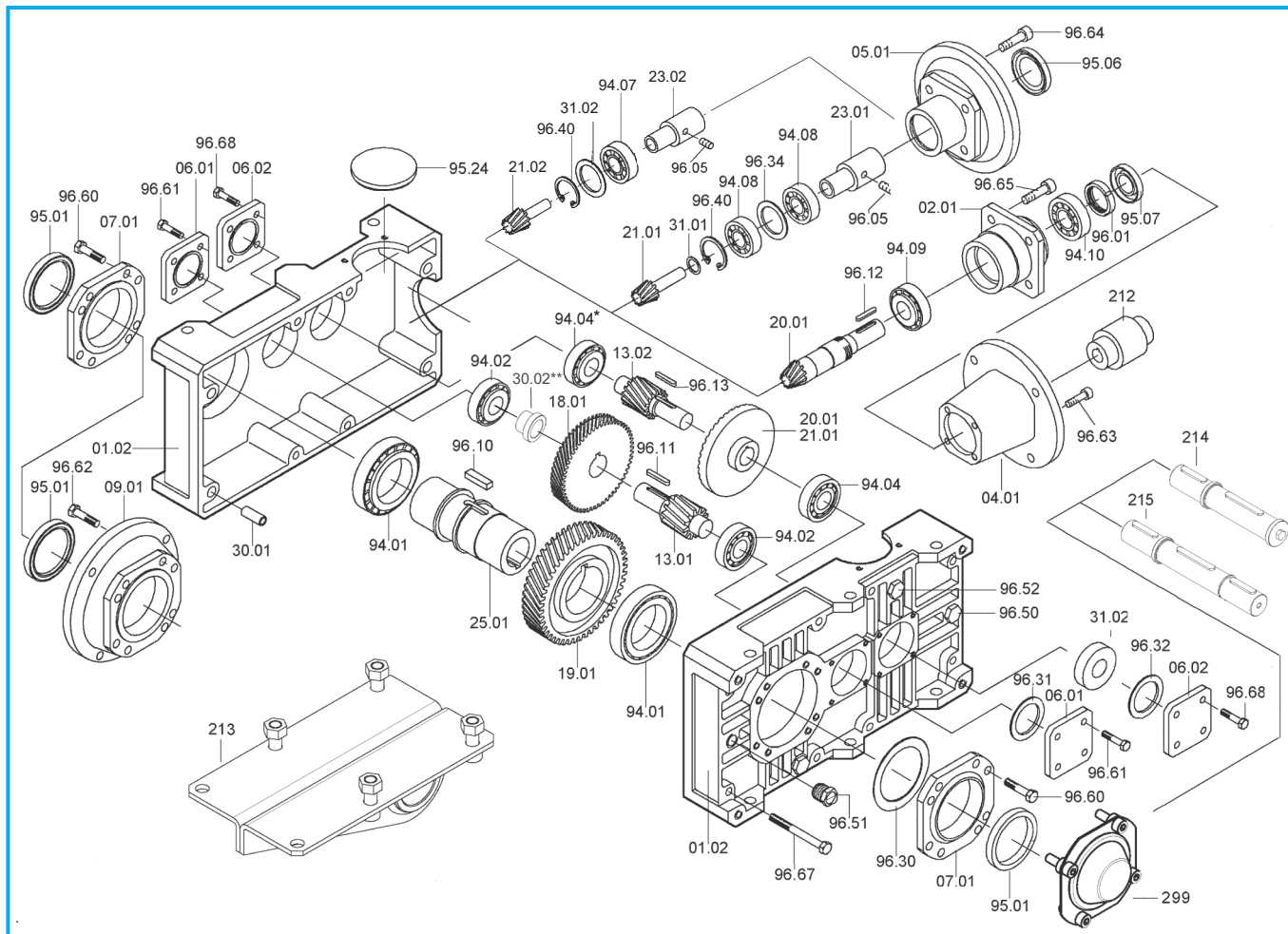
(3) Solo per T225B i=16 - 40 (no per i = 8 - 12.5) / Only for T225B i = 16- 40 (not for i = 8 - 12.5) / Nur für T225B i= 16- 40 (Nicht für i = 8 - 12.5)

(4) Non presente nel T225B / Not on T225B / Nicht vorhanden für T225B

(5) Solo per T225B / Only for T225B / Nur für T225B



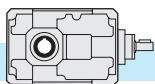
**TA..C - TC..C - TF..C**



T	Cuscinetti / Bearings / Lager							Anelli di tenuta / Oilseals / Öldichtungen				
	TA - TC - TF			TC		TA - TF		TA - TC - TF	TC		TA - TF	
	94.01	94.02	94.04	94.07	94.08	94.09	94.10	95.01	IEC	95.06	95.07	
<b>80C</b>	32010 50/80/20	30204 20/47/15.25	30302 15/42/14.25	3203 17/40/17.5 (i= 250, 315, 400, 500, 630)	7203 17/40/12	30203 17/40/13.25		50/65/8	63	25/52/7	15/40/10	
									71	30/52/7		
									80	35/52/7		
									90	37/52/8		
<b>100C</b>	32012 60/95/23	30305 25/62/18.25	30204 20/47/15.25	3205 25/52/20.6 (i= 250, 315, 400, 500, 630)	7205 25/52/15	32005 25/47/15		60/80/10	71 - 80	35/62/7	20/47/7	
									90	40/62/7		
									100 - 112	45/62/8		
<b>125C</b>	32015 75/115/25	32206 30/62/21.25	30305 25/62/18.25	3206 30/62/23.8 (i= 250, 315, 400, 500, 630)	7206 30/62/16	32006 30/55/17		75/95/10	80 - 90	40/72/7	25/58/10	
									100 - 112	45/72/8		
									132	55/72/10		
<b>160C</b>	32019 95/145/32	32207 35/72/24.25	32206 30/62/21.25	3207 35/72/27 (i= 250, 315, 400, 500, 630)	7207 35/72/17	32007 35/62/18		95/125/12	80 - 90	45/80/10	30/62/7	
									100 - 112	45/80/10		
									132	55/80/10		
									160	60/80/8		
									180	65/80/8		
<b>180C</b>	32024 120/180/38	31309 45/100/27.25	32206B 30/62/21.25	3207 35/72/27 (i= 250, 315, 400)	7207 35/72/17	32007 35/62/18		120/160/15	80 - 90	45/80/10	30/62/7	
									100 - 112	45/80/10		
									132	55/80/10		
									160	60/80/10		
									180	65/80/10		
<b>200C</b>	32026 130/200/45	31310 50/110/29.25	30307 35/80/22.75	—	7209 45/85/38	33109 45/80/26		130/160/12	100 - 112	55/100/13	40/80/10	
			* 32208 40/80/24.75						132 - 160	60/100/10		
									180	65/100/10		
									200	75/100/10		

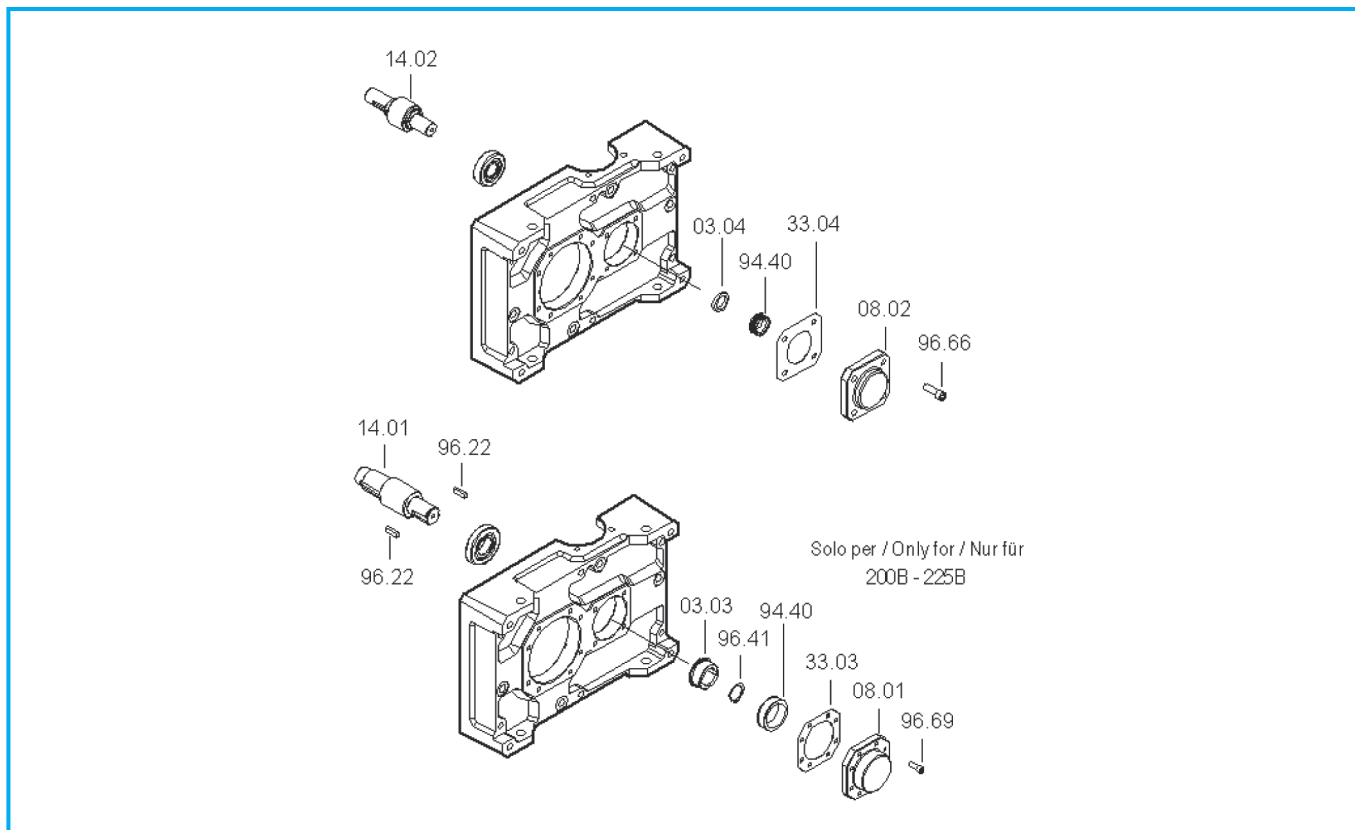
\* Presente solo nella versione con antiretro / Only on version with back stop device / Nur für die Version mit Rücklaufperre

\*\* Solo per T180C / Only for T180C / Nur für T180C



**TA..B - TC..B - TF..B - TA..C - TC..C - TF..C**

**Dispositivo antiritorno - Backstop device - Rücklaufperre**



T...B	Ruota libera / Free wheel / Freilaufgrad 94.40
71	FE 423 Z
90	FE 428 Z
112	BF 50 Z 16
140	BF 70 Z 21
180	FE 8040 Z 19
200	FE 8054 Z 25
225	FE 8072 Z 25

T...C	Ruota libera / Free wheel / Freilaufgrad 94.40
80	FE 423 Z
100	FE 428 Z
125	BF 50 Z 16
160	BF 70 Z 21
180	BF 70 Z 21
200	FE 8040 Z 19

In fase di ordine delle parti di ricambio, specificare sempre n° particolare (vedi disegno esploso), data (1), n° codice (2) e n° variante (3). (Vedi targhetta).

CODICE: distinta base  
CODE: base list  
ART.-Nr.: Basisstückliste

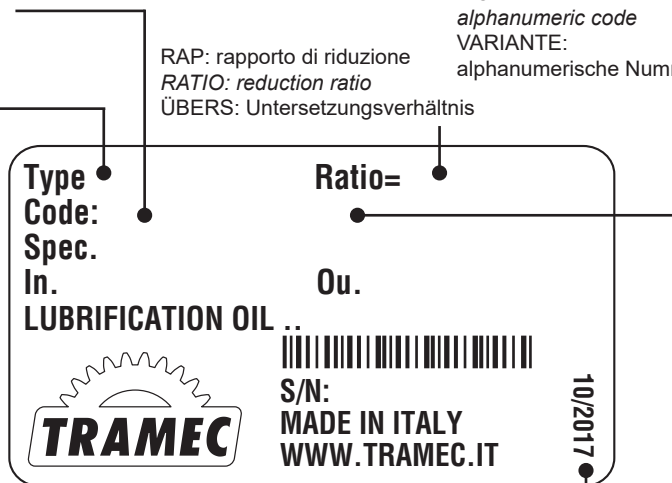
TIPO: descrizione  
TYPE: description  
TYP: Bezeichnung

When ordering please specify the spare part number (see exploded view) as well as the date (1), the article number (2) and the variant number (3) (see plate)

Bei der Bestellung von Ersatzteilen sind Ersatzteilnummer (s. Explosionszeichnung), Datum (1), Artikelnummer (2) und Variantennummer (3) anzugeben. (s. Schild)

VARIANTE: codice alfanumerico  
MODEL: alphanumeric code  
VARIANTE: alphanumerische Nummer

RAP: rapporto di riduzione  
RATIO: reduction ratio  
ÜBERS: Untersetzungsverhältnis



DATA: mese/anno  
DATE: month/year  
DATUM: Monat/Jahr