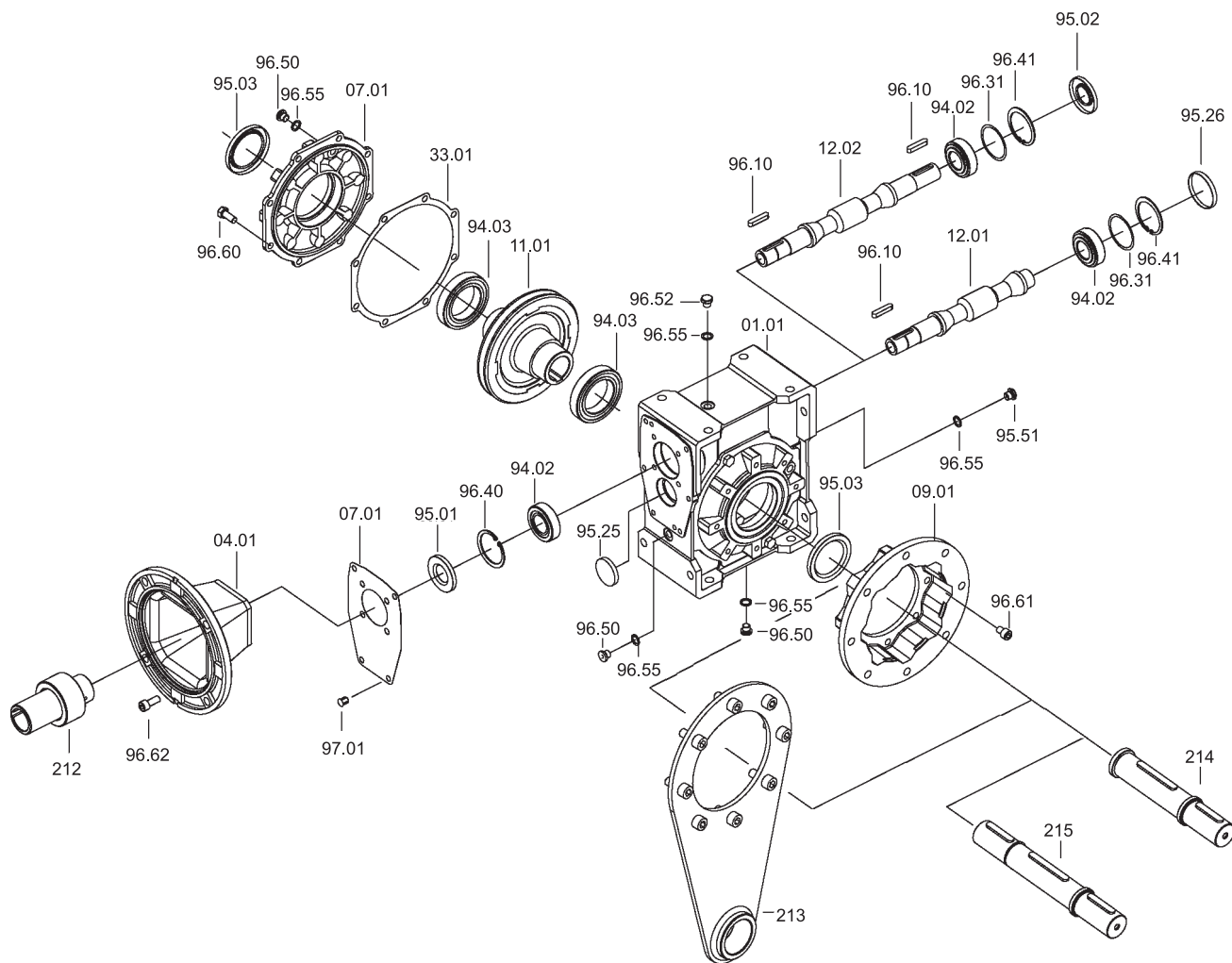




XA - XF

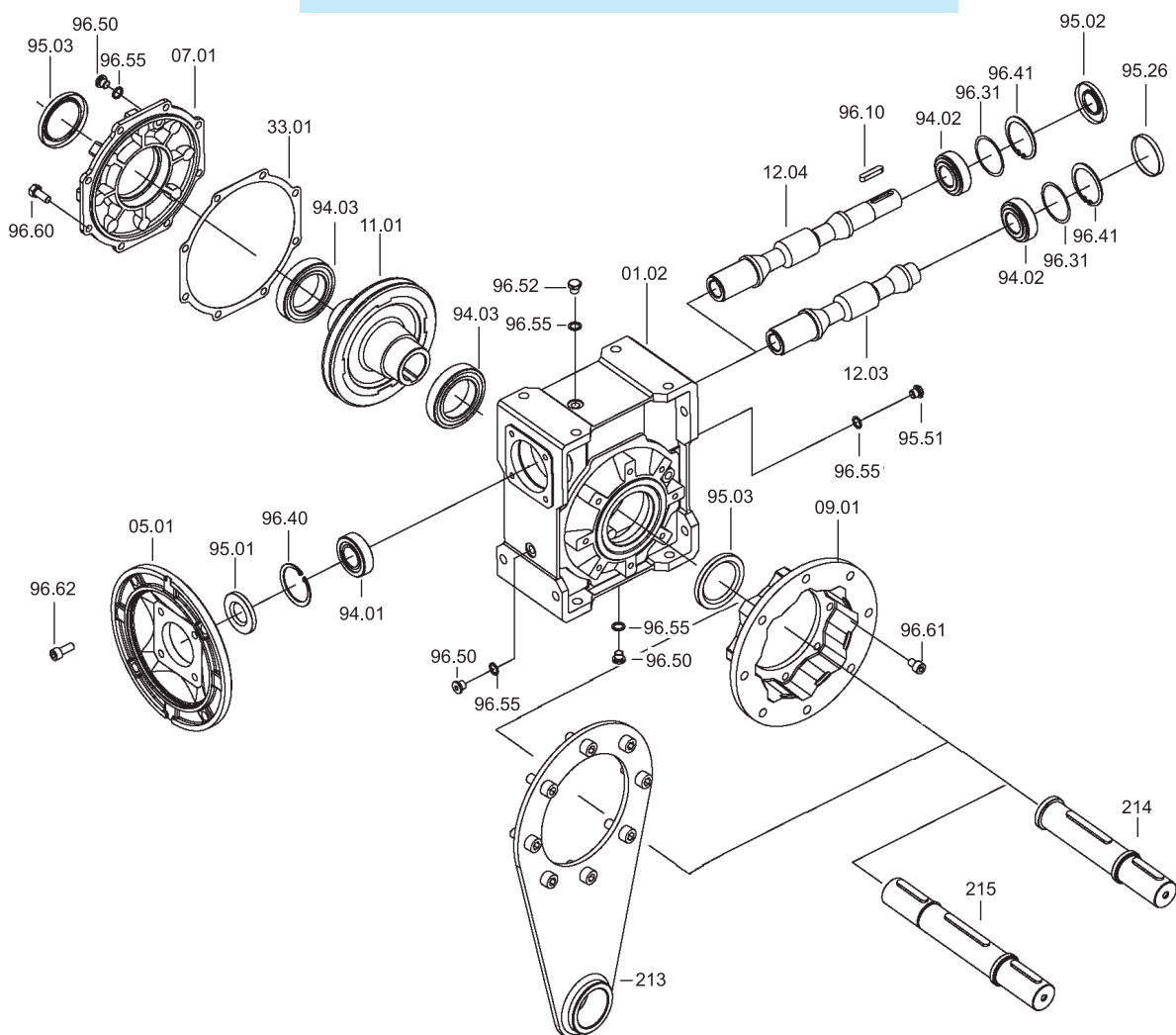


| X | Cuscinetti / Bearings / Lager | | | Anelli di tenuta / Oilseals Öldichtungen | | | Cappellotto / Closed oil seal Geschlossene Öldichtung | |
|------------|-------------------------------|--------------------------|----------------------------|---|----------|-----------|--|---------|
| | 94.02 | 94.03 | | 95.01 | 95.02 | 95.03 | 95.25 | 95.26 |
| 30 | 6000 10x26x8 | 6005 25x47x12 | *32005 25x47x15 | 10/26/5.5 | 10/26/7 | 25/40/7 | — | ø 6x7 |
| 40 | 6201 12x32x10 | 6006 30x55x13 | *32006 30x55x17 | 12/32/7 | 12/32/7 | 30/47/7 | — | ø 32x7 |
| 50 | 6203 17x40x12 | 6008 40x68x15 | *32008 40x68x19 | 17/40/7 | 17/40/7 | 40/62/8 | — | ø 40x7 |
| 63 | 30204 20x47x15.25 | 6008 40x68x15 | *32008 40x68x19 | 20/47/7 | 20/47/7 | 40/62/8 | — | ø 47x7 |
| 75 | 30205 25x52x16.25 | 6010 50x80x16 | *32010 50x80x20 | 25/52/7 | 25/52/7 | 50/72/8 | — | ø 52x7 |
| 90 | 32205 25x52x19.25 | 6010 50x80x16 | *32010 50x80x20 | 25/52/7 | 25/52/7 | 50/72/8 | ø 35x5 | ø 52x7 |
| 110 | 32206B 30x62x21.25 | 6012 60x95x18 | *32012 60x95x23 | 30/62/7 | 30/62/7 | 60/85/8 | ø 47x7 | ø 62x7 |
| 130 | 33208 40x80x32 | 6015 75x115x20 | *32015 75x115x25 | 40/80/10 | 40/80/10 | 75/100/10 | ø 52x7 | ø 80x10 |

* Cuscinetti a rulli conici a richiesta - Tapered roller bearings on request - Auf Wunsch Kegelrollenlager



XC



| X | IEC | Cuscinetti / Bearings / Lager | | | | Anelli di tenuta / Oilseals Öldichtungen | | | Cappello / Closed oil seal Geschlossene Öldichtung |
|-----|---------|-------------------------------|------------------------------|--------------------------|----------------------------|--|----------|-----------|--|
| | | 94.01 | 94.02 | 94.03 | | 95.01 | 95.02 | 95.03 | 95.26 |
| 30 | 56 | 61804 (20x32x7) | 6000 10x26x8 | 6005 25x47x12 | *32005 25x47x15 | 20/32/5 | 10/26/7 | 25/40/7 | ø 26x7 |
| | 63 | 61804 (20x32x7) | | 20/32/5 | | | | | |
| 40 | 56 | 6303 (17x47x14) | 6201 12x32x10 | 6006 30x55x13 | *32006 30x55x17 | 17/47/7 | 12/32/7 | 30/47/7 | ø 32x7 |
| | 63 | 6204 (20x47x14) | | 20/47/7 | | | | | |
| | 71 | 6005 (25x47x12) | | 25/47/7 | | | | | |
| 50 | 63 | 6204 (20x47x14) | 6203 17x40x12 | 6008 40x68x15 | *32008 40x68x19 | 20/47/7 | 17/40/7 | 40/62/8 | ø 40x7 |
| | 71 | 6005 (25x47x12) | | 25/47/7 | | | | | |
| | 80 | 6006 (30x55x13) | | 30/55/7 | | | | | |
| 63 | 71 | 30305 (25x62x18.25) | 30204 20x47x15.25 | 6008 40x68x15 | *32008 40x68x19 | 25/62/7 | 20/47/7 | 40/62/8 | ø 47x7 |
| | 80 | 30206 (30x62x17.25) | | 30/62/7 | | | | | |
| | 90 | 32007 (35x62x18) | | 35/62/7 | | | | | |
| 75 | 80 | 30206 (30x62x17.25) | 30205 25x52x16.25 | 6010 50x80x16 | *32010 50x80x20 | 30/62/7 | 25/52/7 | 50/72/8 | ø 52x7 |
| | 90 | 32007 (35x62x18) | | 35/62/7 | | | | | |
| | 100/112 | 32008 (40x68x19) | | 40/68/10 | | | | | |
| 90 | 80 | 30206 (30x62x17.25) | 32205B 25x52x19.25 | 6010 50x80x16 | *32010 50x80x20 | 30/62/7 | 25/52/7 | 50/72/8 | ø 52x7 |
| | 90 | 32007 (35x62x18) | | 35/62/7 | | | | | |
| | 100/112 | 32008 (40x68x19) | | 40/68/10 | | | | | |
| 110 | 90 | 30208 (40x80x19.75) | 32206B 30x62x21.25 | 6012 60x95x18 | *32012 60x95x23 | 40/80/10 | 30/62/7 | 60/85/8 | ø 62x7 |
| | 100/112 | 30208 (40x80x19.75) | | 40/80/10 | | | | | |
| | 132 | 32010 (50x80x20) | | 50/80/10 | | | | | |
| 130 | 90 | 30208 (40x80x19.75) | 33208 40x80x32 | 6015 75x115x20 | *32015 75x115x25 | 40/80/10 | 40/80/10 | 75/100/10 | ø 80x10 |
| | 100/112 | 30208 (40x80x19.75) | | 40/80/10 | | | | | |
| | 132 | 32010 (50x80x20) | | 50/80/10 | | | | | |

* Cuscinetti a rulli conici a richiesta - Tapered roller bearings on request - Auf Wunsch Kegelrollenlager