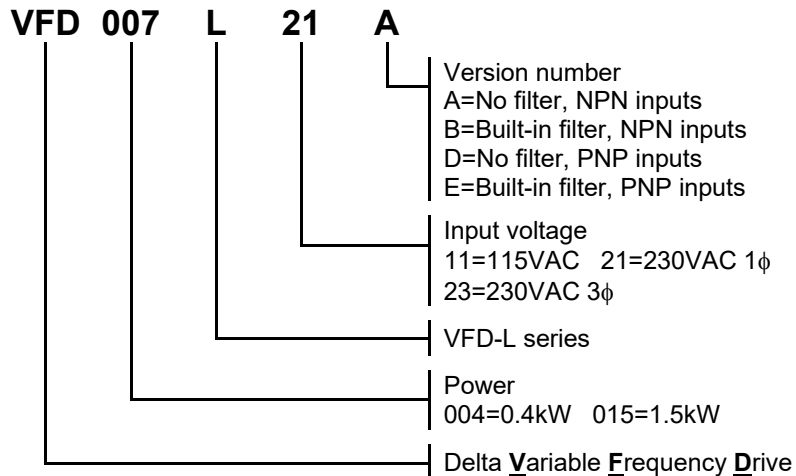


Type number key



230V 0.2 ~ 1.5kW without filter and NPN inputs

Type number	VFD□□□□□□	002L21A	004L21A	007L21A	015L23A
Rated power	kW	0.2	0.4	0.75	1.5
Rated output current	A RMS	1.6	2.5	4.2	7
Current limit	%	150% 60s			
Rated output capacity	kVA	0.6	1	1.6	2.7
Rated input current (1-phase/3-phase) *	A RMS	4.9/1.9	6.5/2.7	9.7/5.1	9 ***
Mains fuse (for UL: Bussmann)		JJN-15/JJN-6	JJN-20/JJN-10	JJN-30/JJN-15	JJN-30
Dimensions HxWxD	mm	132x68x128.1			
Size ****		L2			
Weight	kg	ca. 0.8			
Power cable entry	∅mm	n.a.			
Signal cable entry	∅mm	n.a.			
Section of power cables, stranded	mm ²	0.5 ~ 2			
Cooling		Convection	Fan		
Carrier frequency	kHz	3 ~ 10			
EMC-Filter		No			
DC-Choke		No			
Digital inputs		NPN			
DC-Bus terminals		No			
Brake chopper		No			
Recommended brake resistor	Ω/W	n.a.			
Minimum brake resistor value	Ω	n.a.			

* Single-phase drives can also be connected to 230V 3-phase.

*** 230V 3-phase only.

**** See dimensional drawing on Page 4.

230V 0.2 ~ 0.75kW with filter and NPN inputs

Type number	VFD□□□□□□□□	002L21B	004L21B	007L21B
Rated power	kW	0.2	0.4	0.75
Rated output current	A RMS	1.6	2.5	4.2
Current limit	%	150% 60s		
Rated output capacity	kVA	0.6	1	1.6
Rated input current	A RMS	4.9	6.5	9.7
Mains fuse (for UL: Bussmann)		JJN-15	JJN-20	JJN-30
Dimensions HxWxD	mm	132x68x128.1		
Size ****		L2		
Weight	kg	ca. 0.8		
Power cable entry	∅mm	n.a.		
Signal cable entry	∅mm	n.a.		
Section of power cables (stranded/solid)	mm ²	0.5 ~ 2		
Cooling		Convection	Fan	
Carrier frequency	kHz	3 ~ 10		
EMC-Filter		Built-in		
DC-Choke		No		
Digital inputs		NPN		
DC-Bus terminals		No		
Brake chopper		No		
Recommended brake resistor	Ω/W	n.a.		
Minimum brake resistor value	Ω	n.a.		

**** See dimensional drawing on Page 4.

230V 0.4 ~ 0.75kW without filter and PNP-inputs

Type number	VFD□□□□□□□□	004L21D	007L21D
Rated power	kW	0.4	0.75
Rated output current	A RMS	2.5	4.2
Current limit	%	150% 60s	
Rated output capacity	kVA	1	1.6
Rated input current (1-phase/3-phase) *	A RMS	6.5/2.7	9.7/5.1
Mains fuse (for UL: Bussmann)		JJN-20/JJN-10	JJN-30/JJN-15
Dimensions HxWxD	mm	132x68x128.1	
Size ****		L2	
Weight	kg	ca. 0.8	
Power cable entry	∅mm	n.a.	
Signal cable entry	∅mm	n.a.	
Section of power cables, stranded	mm ²	0.5 ~ 2	
Cooling		Fan	
Carrier frequency	kHz	3 ~ 10	
EMC-Filter		No	
DC-Choke		No	
Digital inputs		PNP	
DC-Bus terminals		No	
Brake chopper		No	
Recommended brake resistor	Ω/W	n.a.	
Minimum brake resistor value	Ω	n.a.	

* Single-phase drives can also be connected to 230V 3-phase.

*** 230V 3-phase only.

**** See dimensional drawing on Page 4.

230V 0.2 ~ 0.75kW with filter and PNP-inputs

Type number	VFD□□□□□□□□	004L21E	007L21E
Rated power	kW	0.4	0.75
Rated output current	A RMS	2.5	4.2
Current limit	%	150% 60s	
Rated output capacity	kVA	1	1.6
Rated input current (1-phase)	A RMS	6.5	9.7
Mains fuse (for UL: Bussmann)		JJN-20	JJN-30
Dimensions HxWxD	mm	132x68x128.1	
Size ****		L2	
Weight	kg	ca. 0.8	
Power cable entry	∅mm	n.a.	
Signal cable entry	∅mm	n.a.	
Section of power cables (stranded/solid)	mm ²	0.5 ~ 2	
Cooling		Fan	
Carrier frequency	kHz	3 ~ 10	
EMC-Filter		Built-in	
DC-Choke		No	
Digital inputs		PNP	
DC-Bus terminals		No	
Brake chopper		No	
Recommended brake resistor	Ω/W	n.a.	
Minimum brake resistor value	Ω	n.a.	

* Single-phase drives can also be connected to 230V 3-phase.

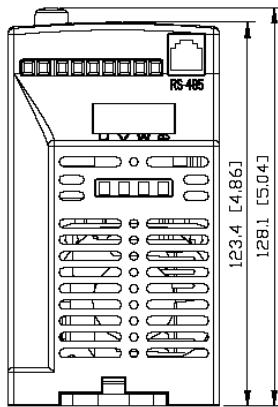
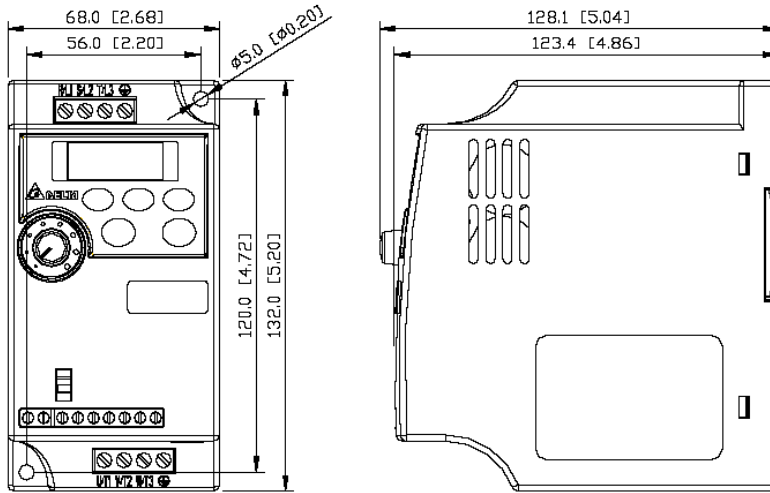
**** See dimensional drawing on Page 4.

Common data VFD-L2

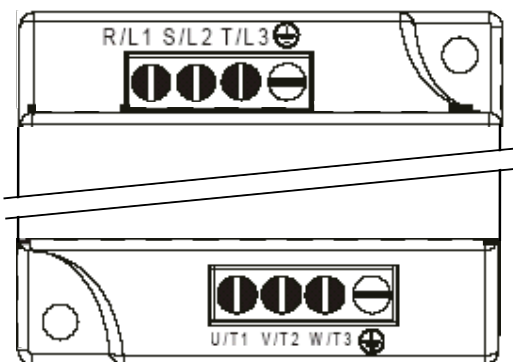
Mains voltage range	V	180 ~ 264
Mains frequency	Hz	47 ~ 63
Output frequency range	Hz	0 ~ 400
Output voltage range	V	0 ~ Mains
Operating temperature	°C	-10 ~ +40
Storage temperature	°C	-20 ~ +60
Atmospheric pressure	kPa	86 ~ 106
Relative humidity	%	≤90 (non condensing)
Vibration		<20Hz: 1g / 20~50Hz: 0.6g
Degree of protection		IP20
Pollution degree		2
Altitude	m	≤1000
Keypad		Integrated
Max. Signal cable section	mm ²	0.2 ~ 0.3
Digital inputs	4x Mx	SINK-NPN (A/B version) or SOURCE-PNP (D/E version) Range 24VDC Scan time 22ms Pull-up (internal) 4.7kΩ
Analogue inputs	1x AVI	Accuracy 10 bits Delay 128ms Range 0~10VDC or 4~20mA Impedance 47kΩ 250Ω
Digital outputs	None	
Analogue outputs	None	
Relays	1x	<u>Make</u> NO: R _A ~R _C 3A/120VAC-24VDC
Signal supply	None	
Potentiometer supply	1x	+10VDC/10mA
Trip memory		Last 6 errors
Acc/Dec Times	s	0.01 ~ 600s
Serial communication	1x RJ11	Modbus RS485 Baudrate 4800 ~ 19200 Address 1 ~ 247 Mode ASCII 7,N,2 / 7,E,1 / 7,O,1 / 8,N,2 / 8,E,1 / 8,O,1 Modbus RTU 8,N,2 / 8,E,1 / 8,O,1

Sizes and dimensions in mm [inches]

Size L2



Main circuit wiring

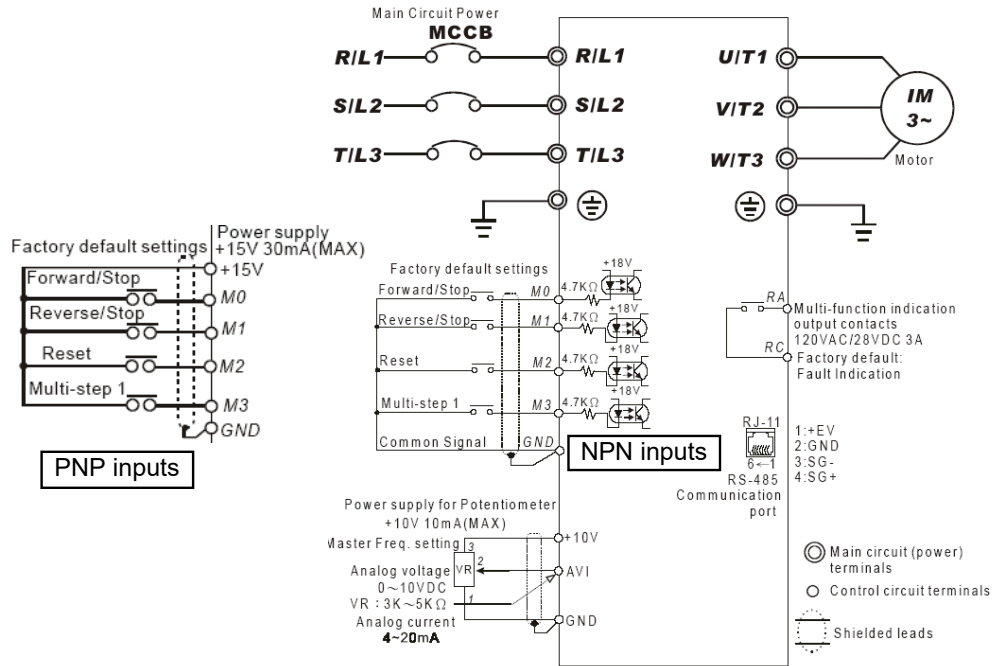


Power terminals (general)

Terminal symbol	Terminal function
R/L1, S/L2, T/L3	Mains input *****
U/T1, V/T2, W/T3	Motor output
Ⓢ	Ground

***** Use R/L1~S/L2 terminals for single phase

Basic wiring diagram



Options

Keypad&Cables PU06 Copy Keypad, Bracket and Extension cables for cabinet door mounting.

Communication Communication converters, Splitters, Cables.

Software To read, save, copy, change parameters. Download VFDSOFT from www.delta.com.tw [Products] [Industrial Automation] [AC Motor Drive] [Download] [Software].

Programming

Group 0-xx**User Parameters**

Drive ID, Software version, Password, User-defined display, etc.

Group 1-xx**Basic Parameters**

V/f-curve, Acc/Dec times, Jogging, S-curve, etc.

Group 2-xx**Operation Method Parameters**

Source of frequency/operation, Carrier frequency, Motor direction inhibit, Stop method, etc.

Group 3-xx**Output Function Parameters**

Function and setting of relay, Count values, etc.

Group 4-xx**Input function Parameters**

Function and setting of analogue and digital inputs.

Group 5-xx**Multi-step Speed and PLC-Parameters**

3 Speed steps with time duration for PLC function.

Group 6-xx**Protection Parameters**

Protection settings, Fault memory, etc.

Group 7-xx**Motor Parameters**

Setting of motor parameters.

Group 8-xx**Special Parameters**

DC-Braking, 3 Skip frequencies, Speed search, AVR, Auto reset, etc.

Group 9-xx**Communication Parameters**

Protocol, Address, Transmission speed, etc.

www.delta.com.tw

