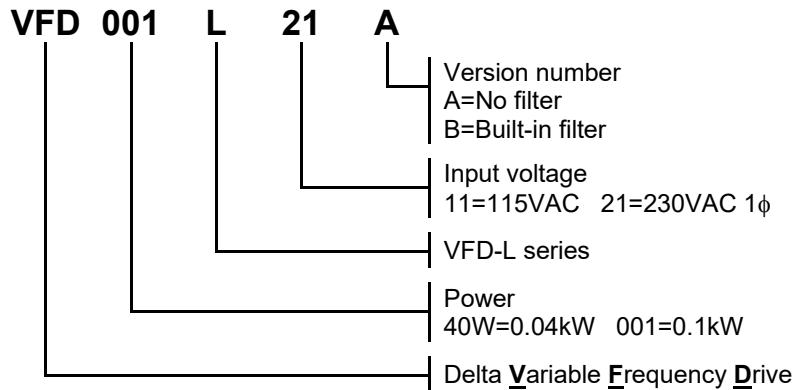


Type number key



230V single phase 0.04 ~ 0.1kW with/without filter

Type number	VFD□□□□□□	40WL21A	001L21A	40WL21B	001L21B
Rated power	W	25/40 *	60/100 *	25/40 *	60/100 *
Rated output current	A RMS	0.28/0.4 *	0.56/0.8 *	0.28/0.4 *	0.56/0.8 *
Current limit	%	150% 60s			
Rated output capacity	VA	106/152	212/303	106/152	212/303
Rated input current	A RMS	0.5/0.7	1/1.4	0.5/0.7	1/1.4
Mains fuse (for UL: Bussmann)		JJN-3 300V	JJN-6 300V	JJN-3 300V	JJN-6 300V
Dimensions HxWxD	mm	100x60x135.7		100x60x155.7	
Size ****		L1a		L1b	
Weight	kg	0.26	0.43	0.34	0.51
Power cable entry	∅mm	n.a.			
Signal cable entry	∅mm	n.a.			
Section of power cables, stranded	mm ²	0.4 ~ 2			
Cooling		Convection			
Carrier frequency	kHz	10			
EMC-Filter		No		Built-in	
DC-Choke		No			
DC-Bus connection		No			
Brake chopper		No			
Recommended brake resistor	Ω/W	n.a.			
Minimum brake resistor value	Ω	n.a.			

* Selected by Dipswitch.

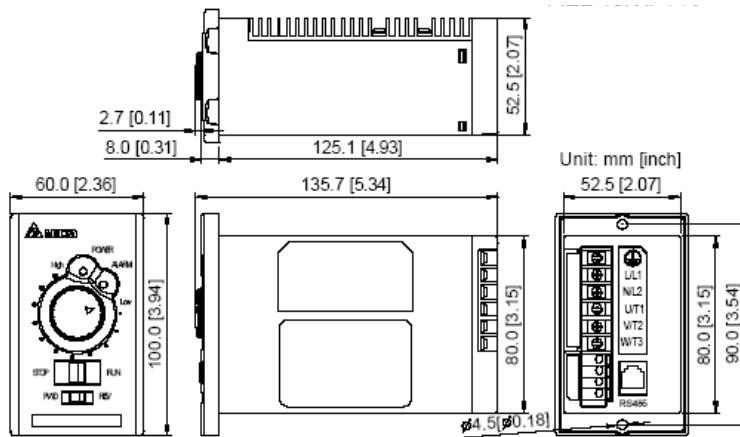
**** See dimensional drawing on Page 3.

Common data VFD-L

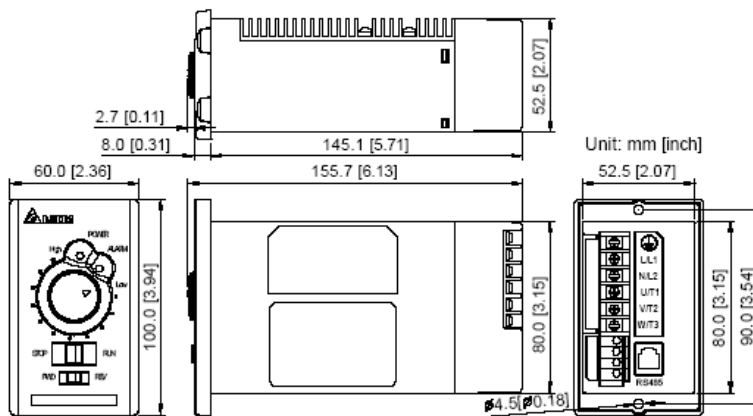
Mains voltage range	V	180 ~ 264
Mains frequency	Hz	47 ~ 63
Output frequency range	Hz	0 ~ 120
Output voltage range	V	0 ~ Mains
Operating temperature	°C	-10 ~ +40
Storage temperature	°C	-20 ~ +60
Atmospheric pressure	kPa	86 ~ 106
Relative humidity	%	≤90 (non condensing)
Vibration		<20Hz: 1g / 20~50Hz: 0.6g
Degree of protection		IP20
Pollution degree		2
Altitude	m	≤1000
Keypad		n.a. (Front potentiometer & dipswitch)
Max. Signal cable section	mm ²	0.4 ~ 2
Digital inputs	2x Mx	SINK Range 24VDC Scan time 22ms Pull-down (internal) ca. 3kΩ
Potentiometer		Accuracy 10 bits Delay 128ms
Analogue inputs	None	
Digital outputs	1x MOx	Optocoupler OC 48VDC/50mA
Analogue outputs	None	
Relays	None	
Signal supply	None	
Potentiometer supply	None	
Trip memory		None
Acc/Dec Times	s	0.05 ~ 30
Serial communication	1x RJ11	Modbus RS485 Baudrate 9600 Address 1 ~ 63 Mode ASCII 7,N,2

Sizes and dimensions in mm [inches]

Size L1a



Size L1b



Wiring



Power terminals (general)

Terminal symbol	Terminal function
L/L1, N/L2	Mains input
U/T1, V/T2, W/T3	Motor output
	Ground

Options

Communication Communication converters, Splitters, Cables.

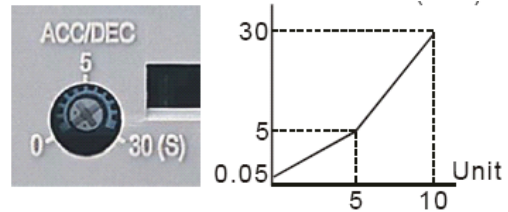
Software To read, save, copy, change parameters. Download VFDSOft from www.delta.com.tw [Products] [Industrial Automation] [AC Motor Drive] [Download] [Software].

DIP Switch	Switch Name	Switch Setting	Parameter Descriptions	
1	Max. Output Frequency		Maximum Output Frequency	V/F Curve
			50Hz	
			60Hz	
			100Hz	
2			120Hz	
3	Reverse Inhibit		Reverse enable	
			Reverse disable	
4	Torque Setting		Low torque output	
			High torque output	
5	Electronic Thermal Setting		Applicable for 40/100W motor	
			Applicable for 25/60W motor	
6	Operation Command Source Select (1)		Operation command controlled by potentiometer.	
			Operation command controlled by external terminal	
7	Operation Command Source Select (2)		Operation command controlled by external terminal (can be monitored by communication mode)	
			Switch 7 is ON, indicates the communication mode is enabled; switches 1 to 6 are address settings.	

RUN/STOP, FWD/REV



ACC/DEC TIME



www.delta.com.tw

