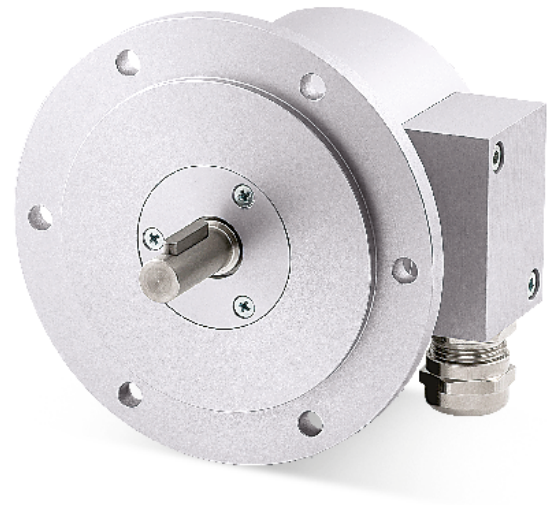


- Heavy-duty encoder for harsh environments
- "Tachogenerator" design, B10 Euro-flange
- Rotatable connection with screw terminals
- High shaft load
- Corrosion and salt mist resistant housing



I115

ENVIRONMENTAL SPECIFICATIONS

Shock:	250 g, 6 ms acc. to CEI EN 60068-2-27
Vibrations:	10 g, 5-2000 Hz acc. to CEI EN 60068-2-6
Protection:	IP66
Operating temperature range:	-40°C +100°C (-40°F +212°F)
Storage temperature range:	-40°C +100°C (-40°F +212°F) (98% R.H. without condensation)

MECHANICAL SPECIFICATIONS

Dimensions:	see drawing
Shaft diameter:	Ø 11 mm
Shaft loading:	axial: 250 N radial: 350 N
Shaft rotational speed:	6000 rpm max.
Starting torque at 20°C:	1 Ncm (typical)
Bearings life:	400 x 10 ⁶ rev. min. (10 ⁹ rev. min. with 20 N shaft loading max.)
Weight:	~ 1 kg (35 oz)

ELECTRICAL SPECIFICATIONS

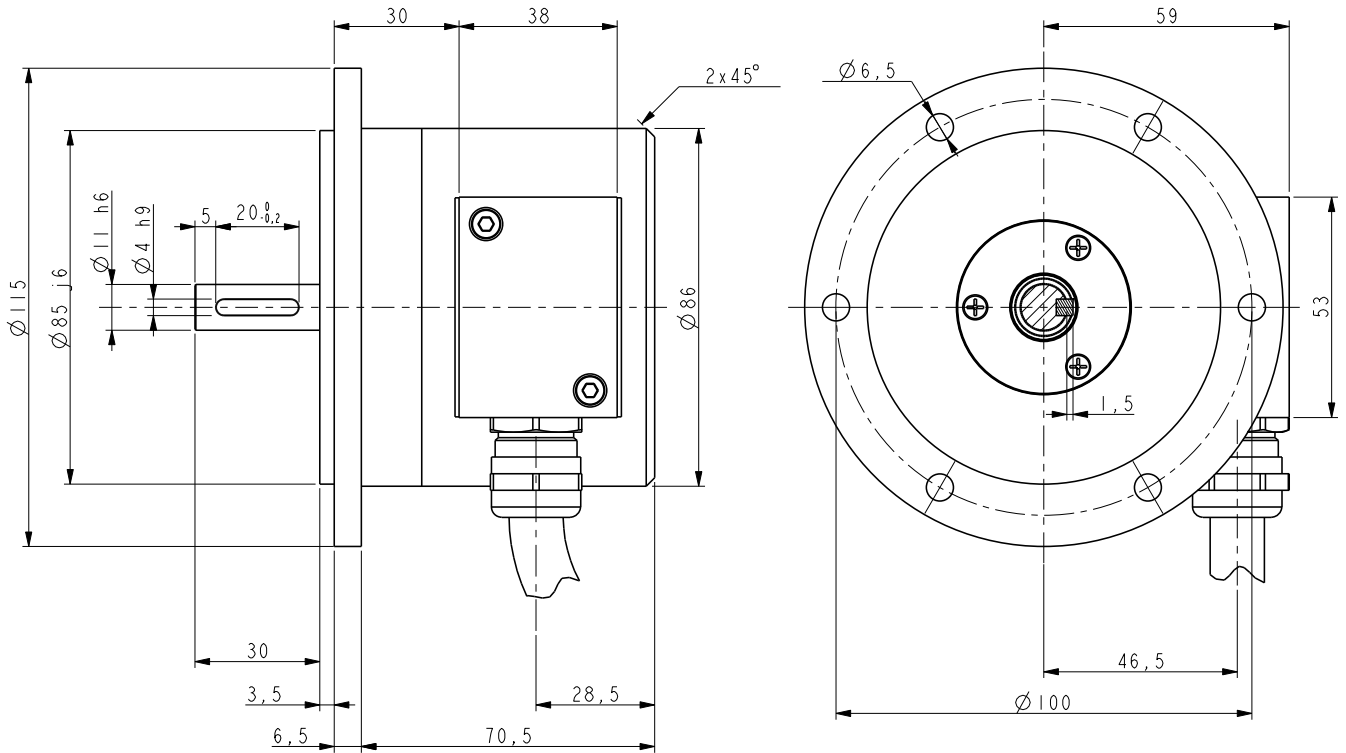
Resolution (PPR):	100-200-250-256-300-360-400-500-512-600-720-750-900-1000 1024-1200-1250-1440-1500-1800-2000-2048-2500-3000 3600-4000-4096-5000
Counting frequency:	100 kHz max.
Output circuits:	NPN, Push-Pull, Line Driver, Universal circuit
Power supply:	+5V ±5%, +10V +30V, +5V +30V
Consumption:	70 mA (typical)
Output current (each channel):	40 mA max.
Protection:	against inversion of polarity and short-circuit (except L circuit)
EMC:	electro-magnetic immunity, according to: EN 61000-4-2 EN 61000-4-4
Optoelectronic life:	100.000 hrs min.
Connections:	via terminal box, cable Ø 4 ÷ 10 mm

MATERIALS

Flange:	anticorodal, UNI EN AW-6082, anodized
Housing:	anticorodal, UNI EN AW-6082, anodized
Bearings:	ABEC 5
Shaft:	stainless steel, non-magnetic, UNI EN 4305
Light source:	GaAl diodes

ACCESSORIES

MOL-32C-11K-11K:	flex. coupling with electric ins.
MSTS-32K-11-11:	stainless steel coupling
MDW-25C-11K-11K:	disk coupling



I115

Order code

I115	-	X a	-	XXXXX b	XXX c	X d	XX e	/Sxxx f
------	---	--------	---	------------	----------	--------	---------	------------

a OUTPUT CIRCUITS
 N = NPN o.c.
 Y = Push-Pull
 L = Line Driver (RS422)
 H = PP/LD universal circuit

b RESOLUTION (PPR)
 See electrical specifications

c OUTPUT SIGNAL / CONNECTION
 ZCT = ABO /ABO, terminal blocks

d SUPPLY VOLTAGE
 1 = +5V±5% (L output circuit)
 2 = +10V÷ +30V (N, Y and L output circuits)
 4 = +5V÷ +30V (H output circuit)

e SHAFT DIAMETER
 11 = 11 mm

f CUSTOM VERSION

Document release	Date	Description
1.1	17.11.2021	Update of resolution and output circuit (deleted T output)