

ROTAPULS

ATEX incremental encoder

Series

XC77



- ATEX II 2G Ex d IIC T6 Gb, II 2D Ex tb IIIC T85°C Db certification
- Suitable for ATEX zones 1, 2, 21 and 22
- Compact & robust construction with axial/radial cable outlet
- Ø 14 mm hollow shaft
- Resolution up to 10000 PPR



XC77

ENVIRONMENTAL SPECIFICATIONS

Certification:	II 2G Ex d IIC T6 Gb, II 2D Ex tb IIIC T85°C Db
Shock:	100 g, 6 ms
Vibrations:	10 g, 5-2000 Hz
Protection:	IP65
Environmental temperature max.:	40°C max
Operating temperature range:	-20°C +40°C (-4°F +104°F)
Storage temperature range:	-20°C +85°C (-4°F +185°F) (98% R.H. without condensation)

MECHANICAL SPECIFICATIONS

Dimensions:	see drawing
Hollow shaft diameter:	Ø 14 mm
Shaft loading (axial, radial):	60 N max.
Shaft rotational speed:	6000 rpm max.
Starting torque (at 20°C):	≤ 5 Ncm
Bearings life:	400 x 10 ⁶ rev. min. (10 ⁹ rev. min. with 20 N shaft loading max.)
Electrical connections:	cable output 3 m (9.8 ft)
Weight:	~ 750 g (26,4 oz)
Option:	• additional cable

ELECTRICAL SPECIFICATIONS

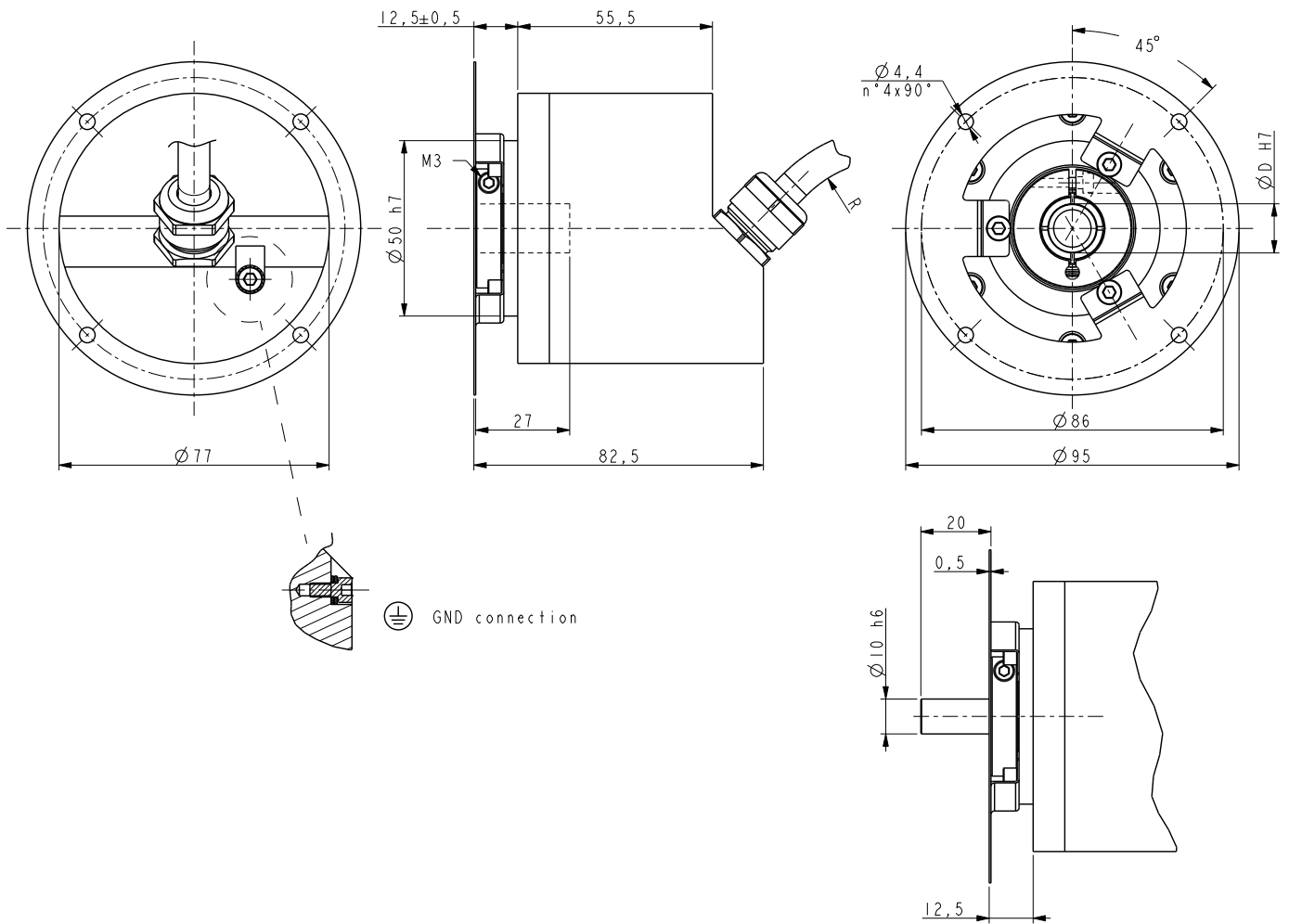
Resolution (PPR):	4-5-6-8-10-12-15-16-20-24-25-30-36-40-50-60-70-80 100-120-125-127-150-160-200-216-230-240-250-254 256-300-314-360-375-400-471-500-512-600-720-750 900-1000-1024-1068-1200-1250-1270-1400-1440 1500-1800-2000-2048-2250-2400-2500-3000 3600-4000-4096-5000-6000-8192-9000-10000
Counting frequency:	100 kHz max.
Output circuits:	NPN, Push-Pull, Line Driver, Universal circuit
Power supply:	+5Vdc ± 5%, +10Vdc +30Vdc, +5Vdc +30Vdc
Consumption:	70 mA (typical)
Output current (per channel):	40 mA max.
Protection:	against inversion of polarity and short-circuit (except L circuit)
EMC:	electro-magnetic immunity, according to: EN 61000-4-2 EN 61000-4-4
Optoelectronic life:	100.000 hrs min.

MATERIALS

Flange:	anticorodal, UNI EN AW-6082 (UNI EN 573)
Housing:	anticorodal, UNI EN AW-6082 (UNI EN 573)
Bearings:	ABEC 5
Shaft and clamping ring:	1.4305 (UNI EN 10088-1)

ACCESSORIES

LKM-1758:	Ø 10 mm shaft extension
-----------	-------------------------



XC77

Order code

XC77	-	X a	-	XXXXX b	XXX c	X d	XX e	XX f	/Sxxx g
------	---	--------	---	------------	----------	--------	---------	---------	------------

a OUTPUT CIRCUITS

N = NPN o.c.
Y = Push Pull
L = Line Driver (RS422)
H = PP/LD universal circuit

b RESOLUTION (PPR)

See electrical specifications

c OUTPUT SIGNALS / CONNECTION

ZCU = ABO /ABO, cable output

d SUPPLY VOLTAGE

1 = +5Vdc $\pm 5\%$ (L output circuit)
2 = +10Vdc \div +30Vdc (N and Y output circuits)
4 = +5Vdc \div +30Vdc (H output circuit)

e SHAFT DIAMETER

14 = 14 mm

f CABLE LENGTH

- = cable output 3 m
L7 = cable output 7 m
Lx = cable output x m (3 m min.)

g CUSTOM VERSION