



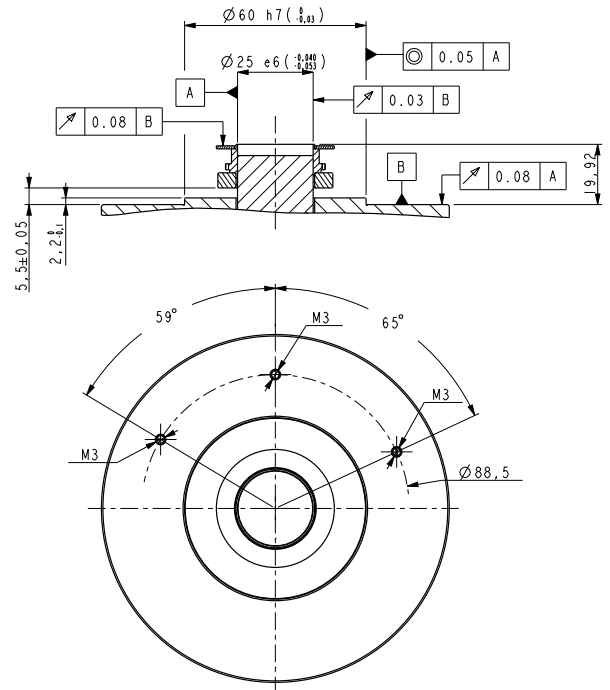
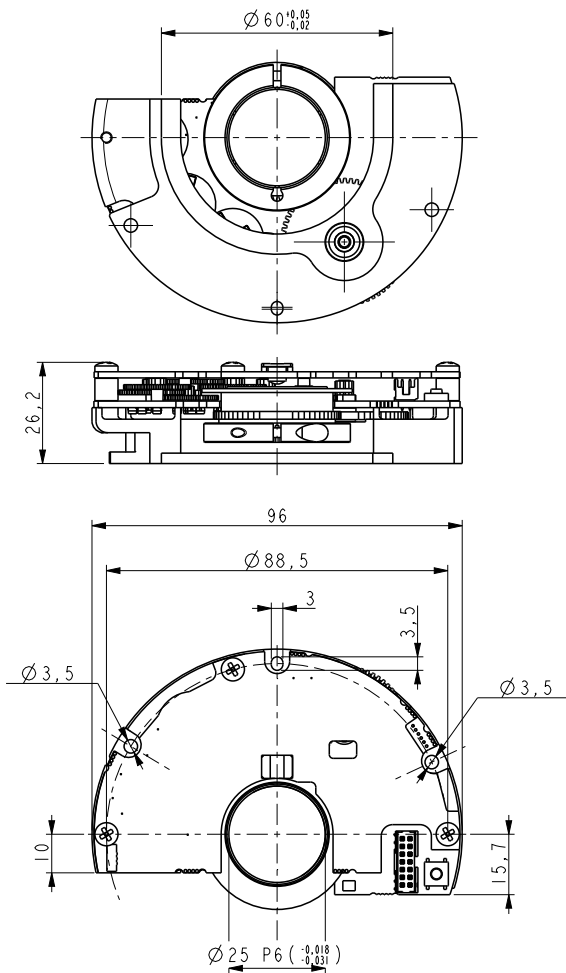
- Absolute frameless encoder
- Optical single & multturn sensing
- Resolution up to 21 x 14 bit
- BiSS-C/SSI interface + incremental track 1Vpp
- Through hollow shaft $\varnothing 25\text{mm}$

Applications:

- Hollow shaft motors
- Robotic joints
- Slip rings



AMM8A



GENERAL SPECIFICATIONS

Resolution:	single turn from 17 to 21 bit multiturn 12, 14 bit
Accuracy:	typ. $\pm 0,01^\circ$
Interface:	absolute BiSS-C/SSI incremental 1024 PPR sin/cos
Hollow shaft diameter:	$\varnothing 25\text{ mm}$

ACCESSORIES

IF90-SC:	Calibration/setup interface
EXC-D15M-S71-A16-1,0-FCI-S71:	Calibration cable
EC-FCI-LK-TF12-0,5:	Encoder connection cable
PF5013:	Disk spacer
PF5015:	Disk manipulating tool