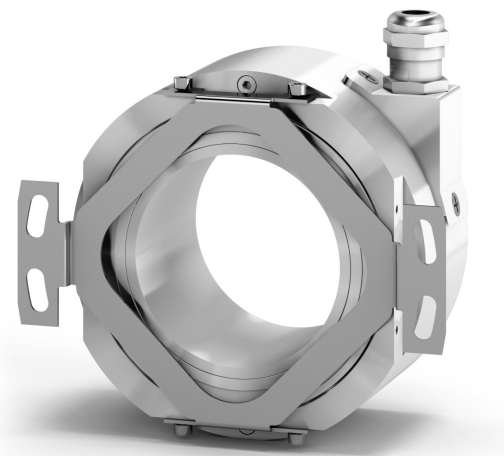




- High resolution encoder
- Precise optical sensing
- Motor feedback & positioning applications
- Hollow shaft Ø50 mm
- Shaft clamping with eccentric screws



C85

ENVIRONMENTAL SPECIFICATIONS

Shock:	250 g, 6 ms acc. to CEI EN 60068-2-27
Vibrations:	10 g, 5-2000 Hz acc. to CEI EN 60068-2-6
Protection:	IP65
Operating temperature range:	-25°C +85°C (-13°F +185°F)
Storage temperature range:	-25°C +85°C (-13°F +185°F) (98% R.H. without condensation)
Option:	• Operating temperature range: -40°C +100°C (-40°F +212°F)

MECHANICAL SPECIFICATIONS

Dimensions:	see drawing
Shaft hollow:	Ø 50 mm
Shaft rotational speed:	2000 rpm (continuous operation)
Starting torque at 20°C:	4 ÷ 12 Ncm (typical)
Electrical connections:	cable output 1 m (3.3 ft) or M23 12 pin connector
Weight:	~ 880 g (31 oz)
Option:	• additional cable

ELECTRICAL SPECIFICATIONS

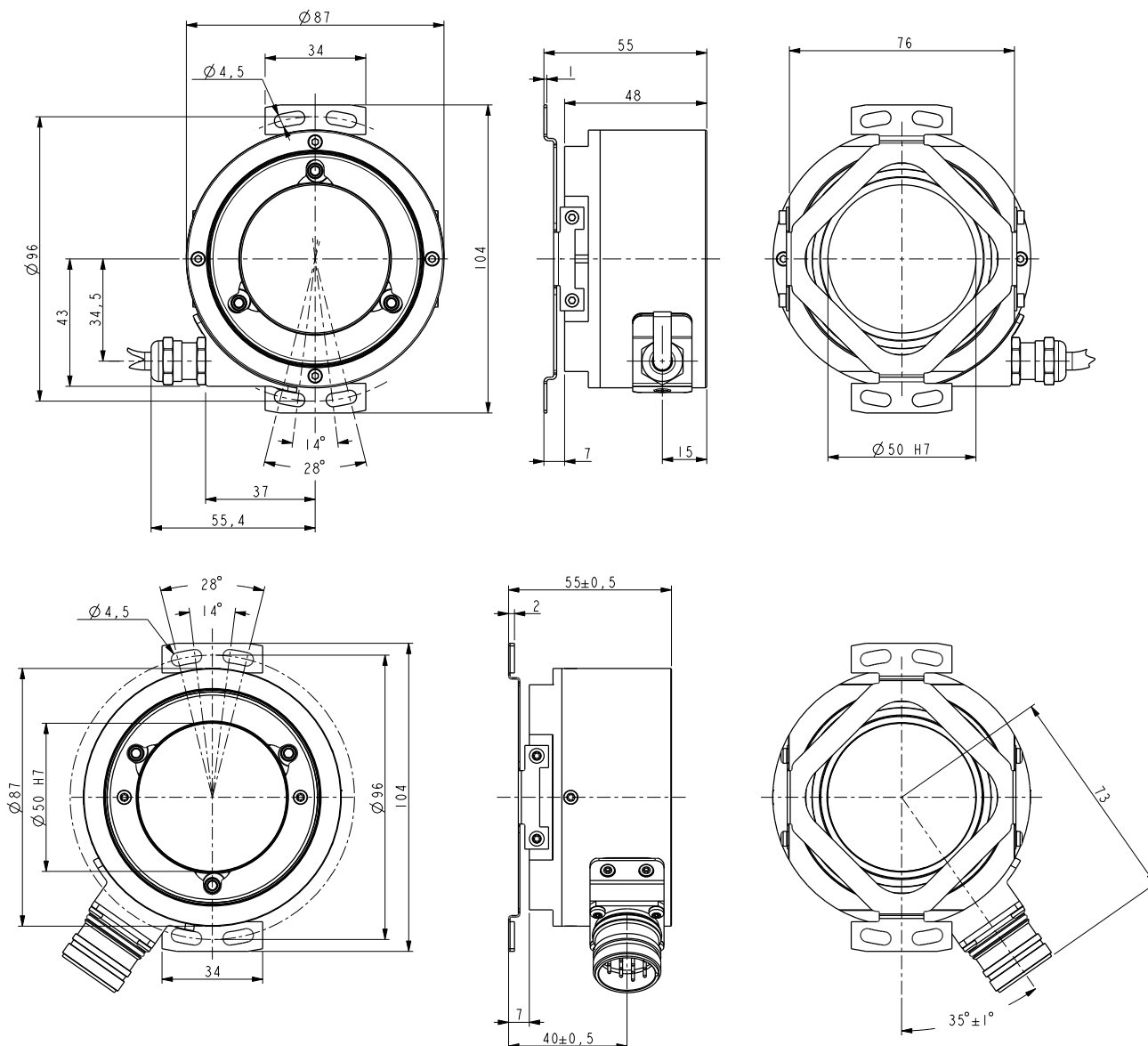
Resolution (PPR):	5000-10000
Resolution (PPR): (only sine/cosine output)	5000
Accuracy:	± 0,01°
Counting frequency:	300 kHz max.
Output circuits:	Line Driver, Universal circuit, Sine/cosine
Power supply:	+5V ±5%, +10V +30V, +5V +30V
Consumption:	70 mA (typical)
Output current (each channel):	40 mA max.
Protection:	against inversion of polarity and short-circuit
EMC:	electro-magnetic immunity, according to: EN 61000-4-2 EN 61000-4-4

MATERIALS

Flange:	stainless steel, non magnetic, UNI EN 1.4305
Housing:	stainless steel, non magnetic, UNI EN 1.4305
Bearings:	ABEC 5
Shaft:	stainless steel, non magnetic, UNI EN 1.4305

ACCESSORIES

EPFL121:	M23 12 pin mating connector
EC-C12F-LK-I8-050:	cordset 5 m. with M23 conn.
EC-C12F-LK-I8-100:	cordset 10 m. with M23 conn.



C85

Order code

C85	-	XX	-	XXXXX	-	XXX	-	XX	-	X	X	-	X	XXXX	/Sxxx
		(a)		(b)		(c)		(d)		(e)	(f)		(g)	(h)	(i)

<p>(a) OUTPUT CIRCUITS / POWER SUPPLY L1 = Line Driver (RS422), +5V±5% L2 = Line Driver (RS422), +10V÷ +30V H4 = PP/LD universal circuit, +5V÷ +30V V1 = 1 Vpp (sine/cosine), +5V±5%</p> <p>(b) RESOLUTION (PPR) See electrical specifications</p> <p>(c) OUTPUT SIGNALS / CONNECTIONS ZCU = ABO /ABO, cable output ZCZ = ABO /ABO, M23 connector output</p>	<p>(d) SHAFT DIAMETER 50 = 50 mm</p> <p>(e) PROTECTION P = IP65</p> <p>(f) OPERATING TEMPERATURE T = -25°C +85°C (-13°F +185°F) K = -40°C +100°C (-40°F +212°F)</p>	<p>(g) CONNECTION POSITION R = radial</p> <p>(h) CABLE LENGTH (only with ZCU) L010 = cable output 1 m L020 = cable output 2 m L070 = cable output 7 m Lxx0 = cable output x m (max. 10 m)</p> <p>(i) CUSTOM VERSION</p>
--	--	---

Document release	Date	Description
1.2	31.10.2024	Accuracy, materials and new order code
1.1	28.10.2021	Resolution update
1	05.02.2021	First issue