

# ROTAPULS

Feedback encoder for servo & gearless motors

Series

CB59 • CB60



- Feedback encoder for servo & gearless motors
- 2048 PPR sine/cosine output
- Absolute track for rotor/stator position
- Hollow or tapered shaft design
- Pin compatible connector with market products



CB59 • CB60

## ENVIRONMENTAL SPECIFICATIONS

Shock:	100 g, 6 ms
Vibrations:	10 g, 5-2000 Hz
Protection:	IP40
Operating temperature range:	-20°C+100°C (-4°F +212°F)
Storage temperature range:	-20°C+100°C (-4°F +212°F) (98% R.H. without condensation)

## MECHANICAL SPECIFICATIONS

Dimensions:	see drawing
Shaft diameter:	hollow, Ø 12.7, 15 mm solid, 1:10 taper
Shaft loading (axial, radial):	40 N max.
Shaft rotational speed:	12000 rpm max.
Starting torque at 20°C:	0,15 Ncm (typical)
Bearings life:	10 <sup>9</sup> rev. min.
Electrical connections:	PCB connector (connection cable to be ordered separately)
Weight:	~ 200 g (7 oz)

## ELECTRICAL SPECIFICATIONS

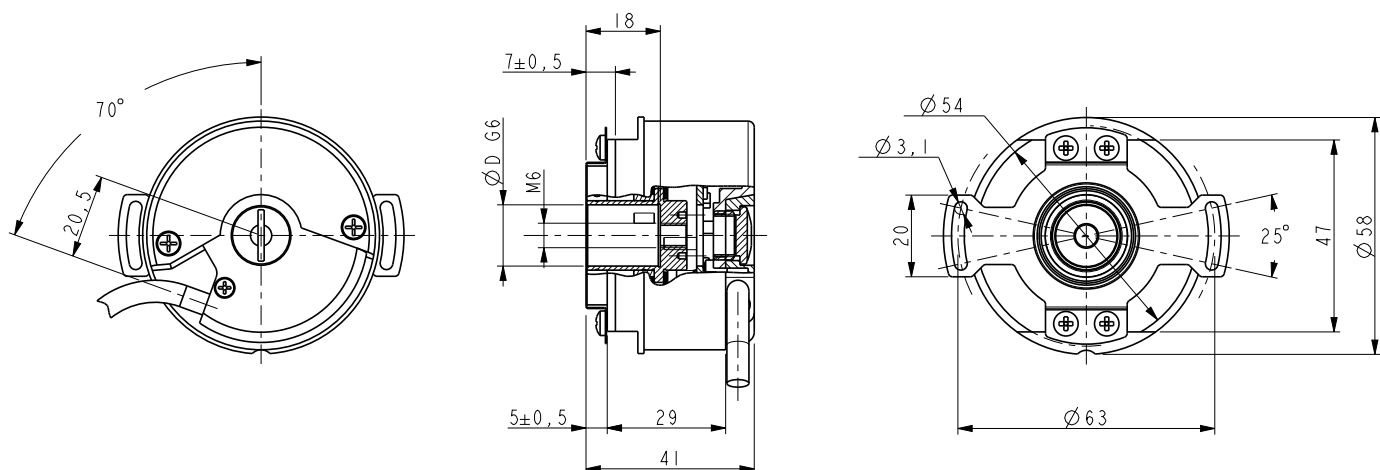
Resolution (PPR):	2048 + absolute Z-track
Counting frequency:	300 kHz max.
Output circuits:	1Vpp
Power supply:	+5V±5%
Consumption:	130 mA max.
Output current (each channel):	40 mA max.
EMC:	electro-magnetic immunity, according to: EN 61000-4-2 EN 61000-4-4
Optoelectronic life:	100.000 hrs min.

## MATERIALS

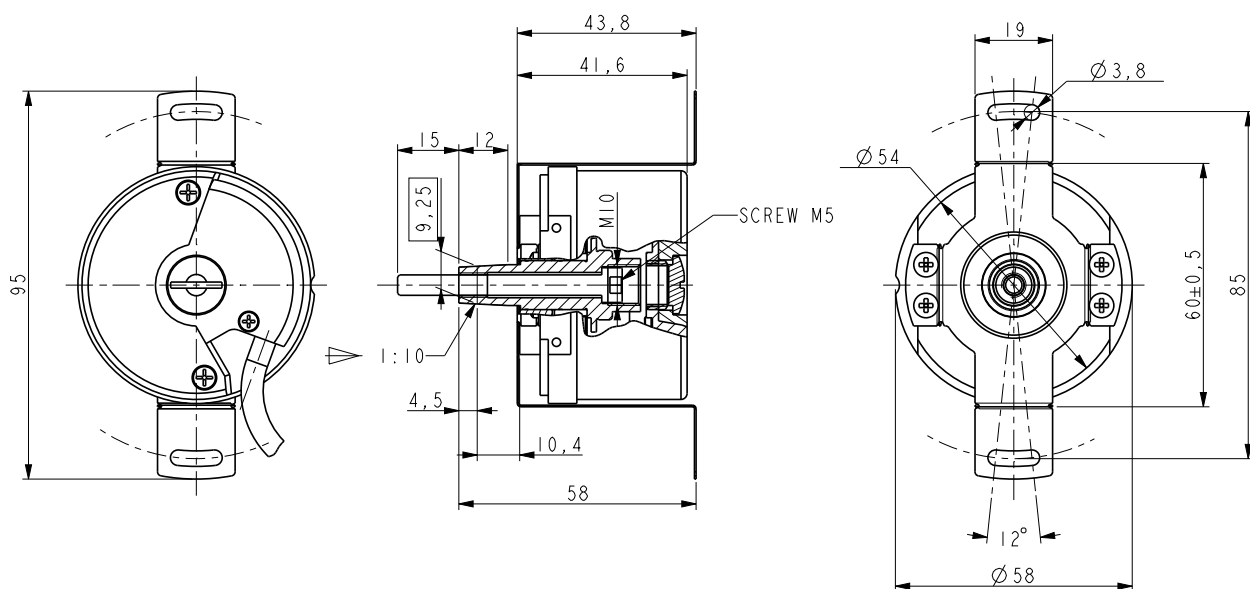
Flange:	aluminium, anticorodal, UNI EN AW-6082
Housing:	aluminium, anticorodal, UNI EN AW-6082
Bearings:	ABEC 5
Shaft:	stainless steel, non-magnetic - UNI EN 4305
Light source:	GaAl diodes

## ACCESSORIES

EC-CB61-1:	Connection cable 1 m
EC-CB61-4:	Connection cable 4 m
EC-CB61-7:	Connection cable 7 m



CB59



CB60

Order code

CB59	-	X	-	XXXX/X	X	XXX	/Sxxx
CB60		(a)		(b)	(c)	(d)	(e)

Accessories order code

EC	-	CB61	-	X
----	---	------	---	---

(a) OUTPUT CIRCUIT

V = 1 V<sub>pp</sub> sine/cosine

(b) RESOLUTION (PPR)

2048/0 = 2048 PPR ABZ /ABZ

2048/1 = 2048 PPR ABZ /ABZ + Z track

(c) SUPPLY VOLTAGE

1 = +5V ±5%

(d) SHAFT DIAMETER

P12 = 12,7 mm - 1/2"

15 = 15 mm

C10 = 1:10 taper

(e) CUSTOM VERSION

EC-CB61-1 = Connection cable 1 m

EC-CB61-4 = Connection cable 4 m

EC-CB61-7 = Connection cable 7 m