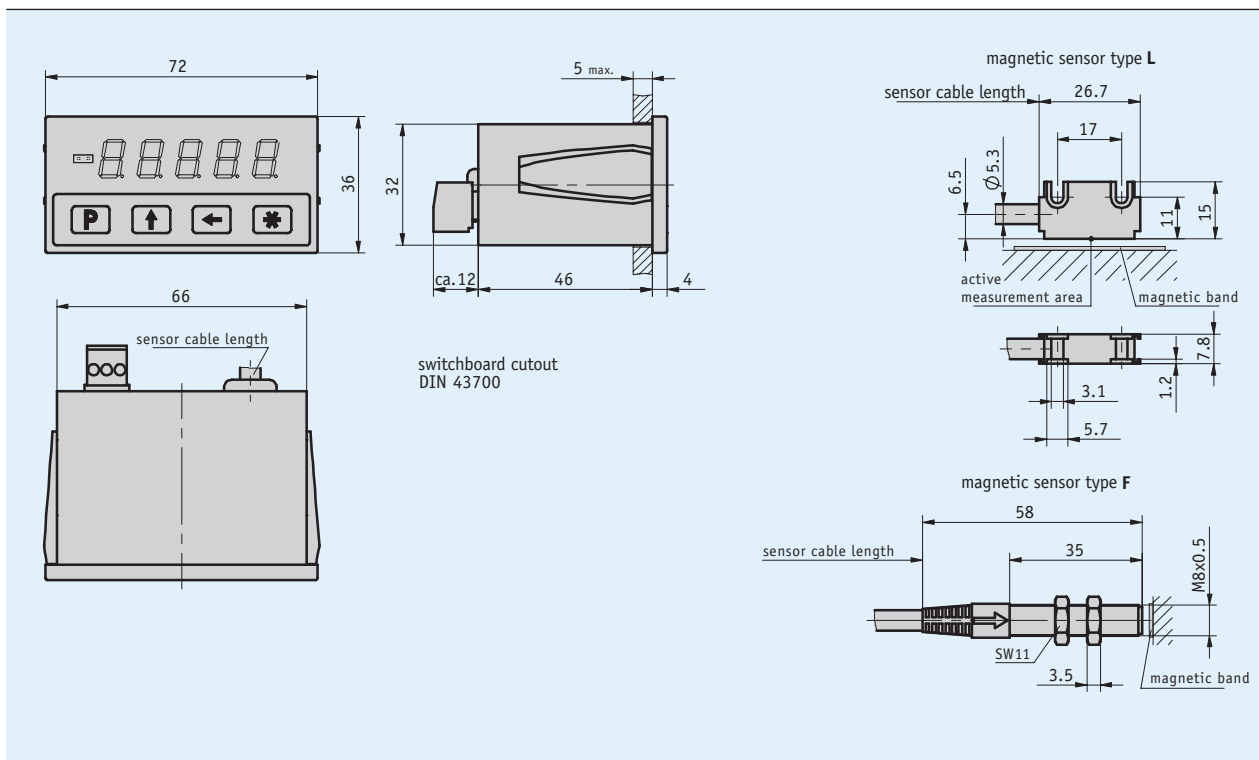


Profile

- Display accuracy max. 10 µm
- Repeat accuracy max. ±0.01 mm
- Incremental measurement and reset function
- Direct reference/offset value input
- Reference input
- Works with sensor MS500



Mechanical data

Feature	Technical data	Additional information
Housing design	built-in housing, plastic (transparent red)	switchboard cutout 68 ^{+0.7} x 33 ^{+0.6} IEC 61554

Electrical data

Feature	Technical data	Additional information
Operating voltage	24 V DC ±20 % 230 V AC+6/ -10 %	only TGL design at 24 V DC
Current consumption	<60 mA	
Display/dispaly range	5-digit, LED 7-segment, 10 mm height red	-99999 ... 99999
Type of connection	screw terminal mini-DIN	3-pole (supply) 6-pole, 1x socket (MS500 sensor)

System data

Feature	Technical data	Additional information
Resolution	0.01, 0.05, 0.1, 1 mm 0.001, 0.01 inch	programmable angle display
System accuracy	±(0.1 + 0.01 × L) mm, L in m	at T ₀ = 20 °C
Repeat accuracy	±0.01 mm	±1 digit
Travel speed	≤5 m/s	

Ambient conditions

Feature	Technical data	Additional information
Ambient temperature	0 ... 50 °C	
Storage temperature	-20 ... 85 °C	
Relative humidity	≤95 %	condensation inadmissible
EMC	EN 61000-6-2 EN 61000-6-4	interference resistance / immission emitted interference / emission
Protection category	IP40 whole device IP60 at the front with switchboard installation	EN 60529 EN 60529

Pin assignment

Signal
GND
+UB
Reset

Order

Ordering information

one or more system components are required:

Magnetic sensor MS500

www.siko-global.com

Ordering table

Feature	Ordering data	Specification	Additional information
Operating voltage	4	24 V DC	
	1	230 V as bench housing on request	
Sensor connection	S	pluggable	delivery without MS500 sensor
	M	permanently mounted	
Magnetic sensor type	OS	without sensor	delivery without MS500 sensor
	L	L design	
	F	F design	
Sensor cable length	...	01.0 ... 20.0 m, in intervals of 1 m	only with M sensor connection

Order key

MA506 - EG - - - -

A
B
C
D

Scope of delivery: MA506, Mounting instructions