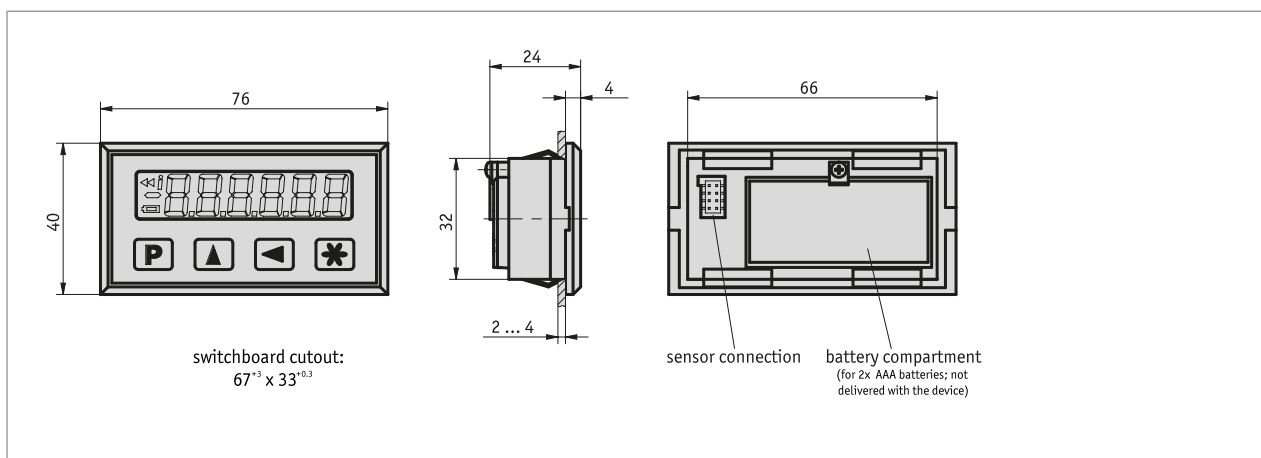
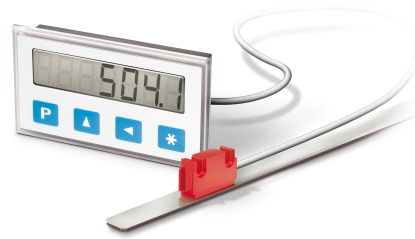


Profile

- Display accuracy max. 10 µm
- Repeat accuracy max. ±0.01 mm
- Lowest-power LCD
- Metric or decimal-inch indication
- Incremental measurement and reset function
- Direct reference/offset value input
- Battery-buffered memory
- Battery operation
- MS500H sensor pluggable



Mechanical data

Feature	Technical data	Additional information
Housing design	built-in housing, plastic	Control panel except 67 ⁺³ x 33.5 ^{+0.3}

Electrical data

Feature	Technical data	Additional information
Operating voltage	3 V DC	
Current consumption	~150 µA at 3 V DC	
Display/display range	Low-power LCD, ~11 mm high -999999 ... 999999	decimal until 10 µm
Battery monitoring	~2.4 V DC	low-batt symbol
Type of connection	integrated battery compartment	supply

System data

Feature	Technical data	Additional information
Resolution	0.01, 0.05, 0.1, 1 mm 0.001, 0.01 in	programmable angle display
System accuracy	±(0.1 + 0.01 x L) mm, L in m at T _U = 20° C ±(0.05 + 0.01 x L) mm, L in m at T _U = 20° C	optional
Repeat accuracy	±0.01 mm	±1 digit
Travel speed	≤5 m/s	

Ambient conditions

Feature	Technical data	Additional information
Ambient temperature	0 ... 60 °C	
Storage temperature	-10 ... 70 °C	
Relative humidity	≤95 %	condensation inadmissible
EMC	EN 61000-6-2	interference resistance / immission
	EN 61000-6-4	emitted interference / emission
Protection category	IP40 whole device	EN 60529
	IP54 at the front	EN 60529

Order

■ Ordering information

One or more system components are required:

Magnetic sensor MS500H
Hollow shaft sensor GS04

www.siko-global.com
www.siko-global.com

■ Order key

MA504/1 - **EG** - **S** - **SF-85792**



Scope of delivery:

MA504/1, Installation Instructions



Accessories you can find:

Mounting bracket ZB3004

www.siko-global.com