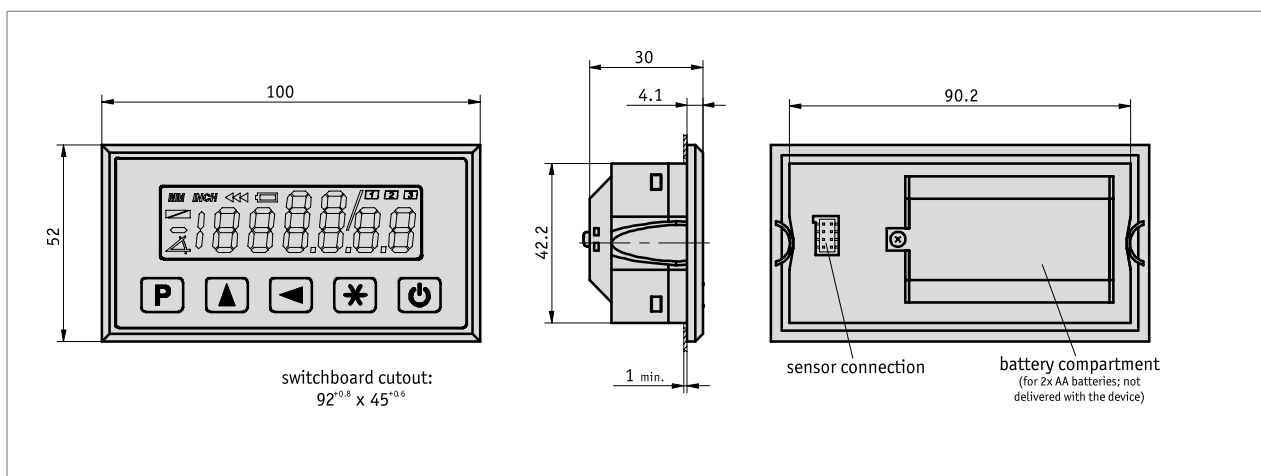
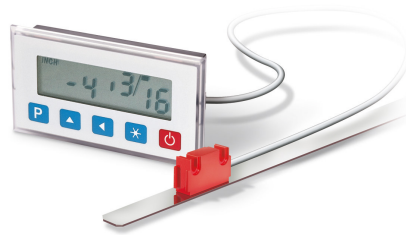


Profile

- Max. display accuracy 10 µm or 1/64 inch
- Repeat accuracy max. ±0.01 mm
- Low-power LCD with decimal and fraction-inch function
- Reading distance ≤2 mm
- Incremental measurement and reset function
- Direct reference/offset value input
- Battery-buffered memory
- Battery operation
- MS500H sensor pluggable



Mechanical data

Feature	Technical data	Additional information
Housing design	built-in housing, plastic	Control panel except 92 ^{+0.8} x 45 ^{+0.6}

Electrical data

Feature	Technical data	Additional information
Operating voltage	3 V DC	reverse polarity protection
Current consumption	~220 µA at 3 V DC	
Display/display range	Low-power LCD, ~13 mm high -1999999 ... 1999999	decimal until 10 µm, inch fraction to 1/64 inch
Battery monitoring	<1.1 V	low-batt symbol
Type of connection	integrated battery compartment	supply

System data

Feature	Technical data	Additional information
Resolution	0.01, 0.05, 0.1, 1 mm 0.01 in, 1/16 in, 1/32 in, 1/64 in	programmable angle display
System accuracy	±(0.1 + 0.01 x L) mm, L in m at T _U = 20° C ±(0.05 + 0.01 x L) mm, L in m at T _U = 20° C	optional
Repeat accuracy	±0.01 mm	±1 digit
Travel speed	≤5 m/s	

Ambient conditions

Feature	Technical data	Additional information
Ambient temperature	0 ... 60 °C	
Storage temperature	-10 ... 70 °C	
Relative humidity	≤95 %	condensation inadmissible
EMC	EN 61000-6-2	interference resistance / immission
	EN 61000-6-4	emitted interference / emission
Protection category	IP40 whole device	EN 60529
	IP54 at the front	EN 60529

Order

■ Ordering information

One or more system components are required:

Magnetic sensor MS500H
Hollow shaft sensor GS04

www.siko-global.com
www.siko-global.com

■ Order key

MA503/2 - EG - S



Scope of delivery:

MA503/2, Installation Instructions



Accessories you can find:

Mounting bracket ZB3005

www.siko-global.com