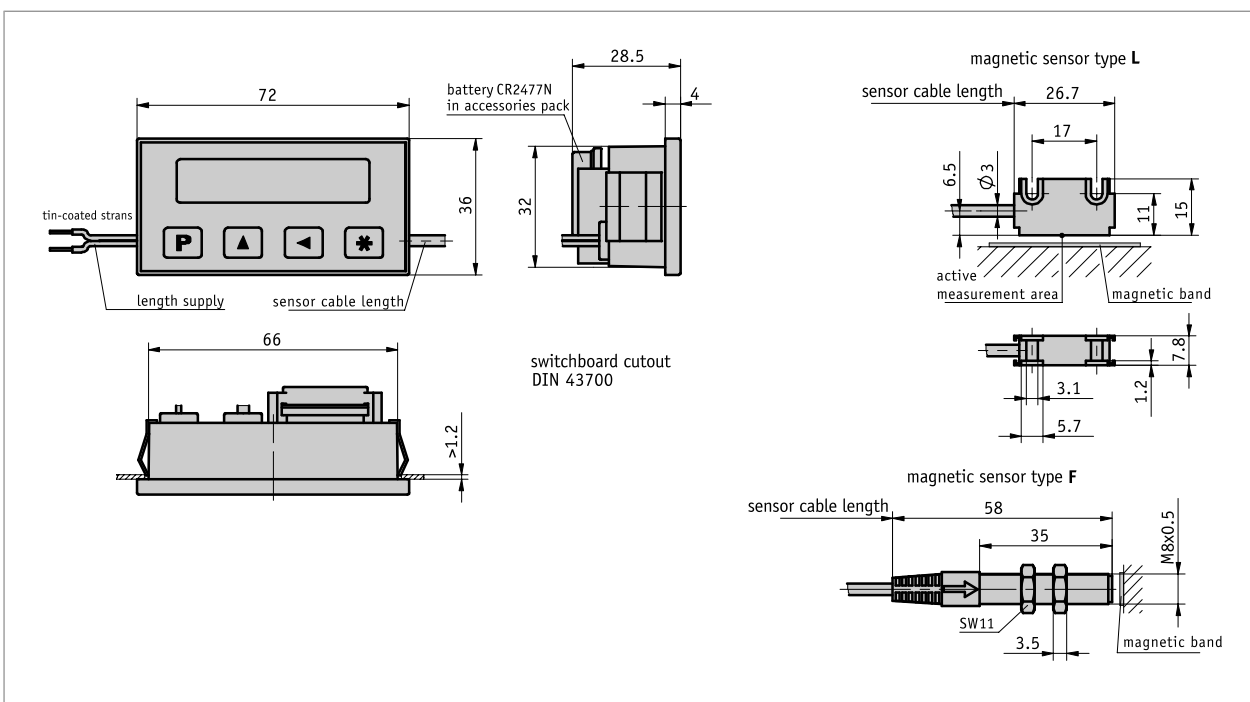
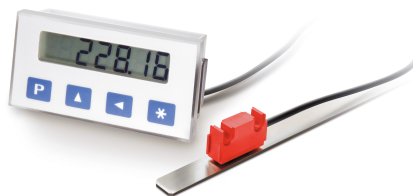


### Profile

- Display accuracy max. 10  $\mu\text{m}$
- Repeat accuracy max.  $\pm 0.01 \text{ mm}$
- Lowest-power LCD
- Reading distance  $\leq 2 \text{ mm}$
- Incremental measurement and reset function
- Direct reference/offset value input
- Power supply 10... 30 V DC
- hard-wired sensor



### Mechanical data

Feature	Technical data	Additional information
Housing design	built-in housing, plastic (transparent)	Control panel excerpt $68^{+0.7} \times 33^{+0.6}$ IEC 61554
	aluminum (red)	L sensor
	steel	F sensor

### Electrical data

Feature	Technical data	Additional information
Operating voltage	10 ... 30 V DC at $T_0 = 20^\circ \text{C}$	
	3 V DC	Backup Operation
Current consumption	$< 8 \text{ mA}$ at 24 V DC	
	$25 \mu\text{A}$ at 3 V DC	Backup Operation
Display/display range	-999999 ... 999999	

### System data

Feature	Technical data	Additional information
Resolution	≤10 μm	
System accuracy	±(0.1 + 0.01 × L) mm, L in m at T <sub>0</sub> = 20° C	
Repeat accuracy	±1 Increment(s)	
Travel speed	≤5 m/s	

### Ambient conditions

Feature	Technical data	Additional information
Ambient temperature	0 ... 60 °C	
Storage temperature	-30 ... 80 °C	
Relative humidity	≤95 %	condensation inadmissible
Protection category	IP40 whole device	EN 60529
	IP54 at the front	EN 60529
	IP67 sensor	EN 60529


### pin assignment

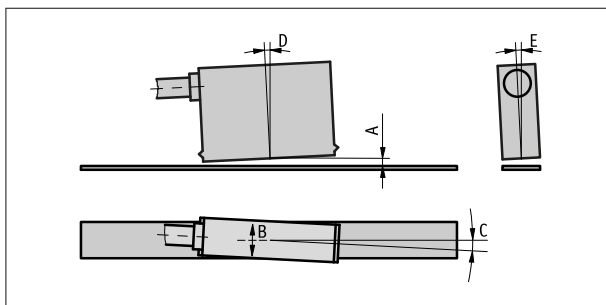
#### ■ Operating voltage

Assignment	Cable color
+UB	red
GND	black

### Hint for mounting

<b>A</b> , Sensor/tape reading distance	≤2 mm
<b>B</b> , Lateral offset	±2 mm
<b>C</b> , Alignment error	±3°
<b>D</b> , Longitudinal inclination	±1°
<b>E</b> , Lateral inclination	±3°

 The length of the cable between the sensor and connector cannot be subsequently increased or decreased.



Symbolic representation

### Order

#### ■ Ordering information

One or more system components are required:

Magnetic tape MB500/1

[www.siko-global.com](http://www.siko-global.com)

#### ■ Ordering table

Feature	Ordering data	Spezifikation	Additional information
Magnetic sensor	A	F	round
		L	rectangular

# Measurement display MA564

quasi-absolute, battery-buffered LCD display, display accuracy 10 µm

Feature	Ordering data	Spezifikation	Additional information
sensor cable length	B ...	0.1 ... 2.0 m, in intervals of 0.1 m	
Cable length for power supply	C 1.0	1 m	
	2.0	2 m	

## ■ Order key

MA564 - EG -  -  -  - S - SF-82597

A      B      C



### Scope of delivery:

MA564, User information, Sensor fastening set