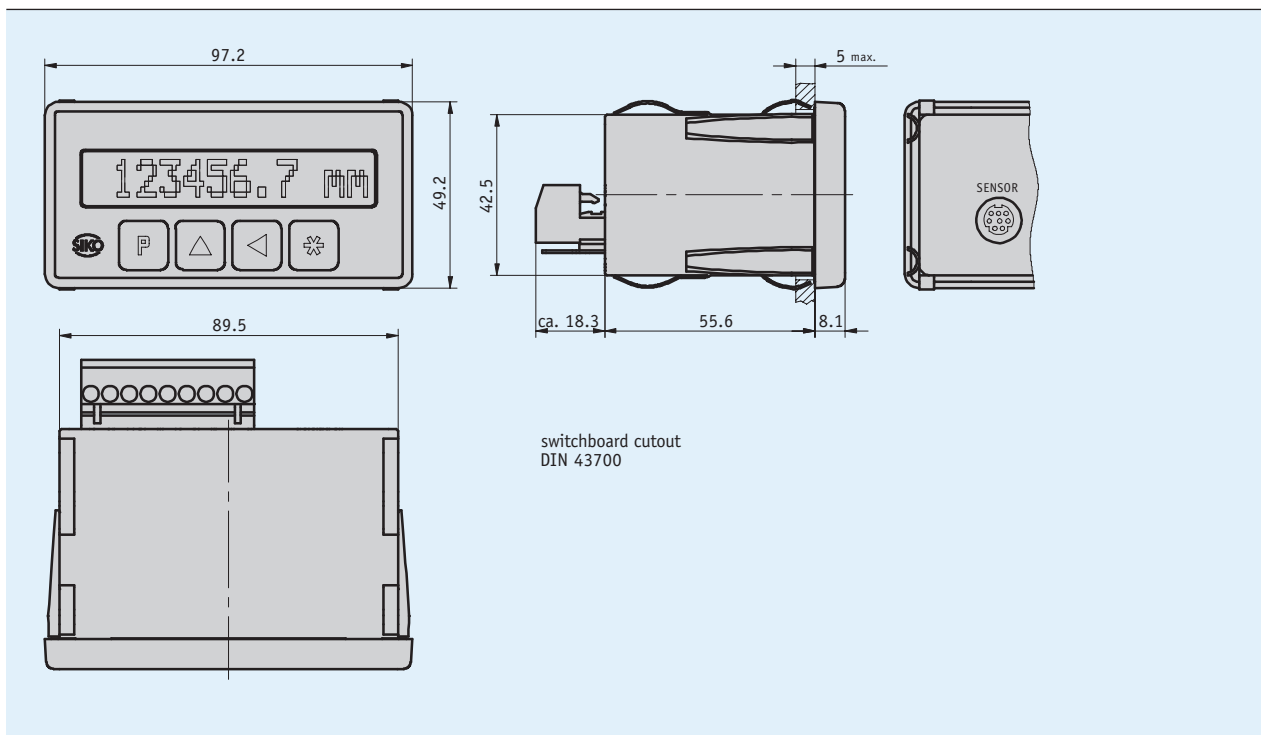


Profile

- Display accuracy max. 1 µm
- Repeat accuracy max. ±1 µm
- High-contrast LCD, 12-digit LCD dot matrix
- Incremental measurement and reset function
- Direct reference/offset value input
- Reference input
- Works with sensor MS100/1
- Option: serial interface RS232/RS485/switching output
- Option: TG01 bench housing



Mechanical data

Feature	Technical data	Additional information
Housing design	built-in housing, plastic	switchboard cutout 92 ^{+0.8} x 45 ^{+0.6} IEC 61554

Electrical data

Feature	Technical data	Additional information
Operating voltage	24 V DC $\pm 20\%$	
	115 V AC $\pm 10\%$	
	230 V AC $\pm 10\%$	
Current consumption	70 mA	at 24 V DC
	20 mA	at 115 V AC
	10 mA	at 230 V AC
Display/display range	12-digit, LCD dot matrix, backlit	-9999999 ... 9999999
Switching outputs	with or without	2x 30 V \leq 100 mA
Interface	without, RS232, RS485	
Type of connection	connector	9-pole (supply, switching output, interface/reference connection)
	mini-DIN	6-pole, 1x socket (MS100/1 sensor)

System data

Feature	Technical data	Additional information
Resolution	0.001, 0.01, 0.1, 1, 10 mm	programmable angle display
	0.001, 0.01, 0.1, 1 inch	
System accuracy	$\pm(0.01 + 0.01 \times L)$ mm; L in m	at $T_{\text{U}} = 20\text{ }^{\circ}\text{C}$
Repeat accuracy	± 0.001 mm	± 1 increment
Travel speed	≤ 2 m/s	

Ambient conditions

Feature	Technical data	Additional information
Ambient temperature	0 ... 50 $^{\circ}\text{C}$	
Storage temperature	-20 ... 80 $^{\circ}\text{C}$	
Relative humidity	$\leq 95\%$	condensation inadmissible
EMC	EN 61000-6-2	interference resistance / immission
	EN 61000-6-4	emitted interference / emission
Protection category	IP40 whole device	EN 60529
	IP60 at the front with switchboard installation	EN 60529

Pin assignment

Signal	PIN
Reset	1
+24 V DC; ≤ 50 mA (reference switch)	2
GND	3
nc	4
RS232 (RXD), RS485 (D \ddot{U} B), actor A2	5
RS232 (TXD), RS485 (D \ddot{U} A), actor A1	6
PE	7
N (230/115 V AC); GND (24 V DC)	8
L (230/115 V AC); +UB (24 V DC)	9

Order

Ordering information

one or more system components are required:

Magnetic sensor MS100/1

www.siko-global.com

Ordering table

Feature	Ordering data	Specification	Additional information
Operating voltage	1	230 V AC	
	2	115 V AC	
	4	24 V DC	
Interface/protocol	XX/XX	without	
	S1/00	RS232 with standard protocol	
	S3/00	RS485 with standard protocol	
Switching output	S0	without	
	SM	with	only with XX/XX interface

Order key

MA100/2 - EG - A - RM - B - C - S - BS

Scope of delivery: MA100/2, Mounting instructions

Accessories:
Table-top housing TG01

www.siko-global.com