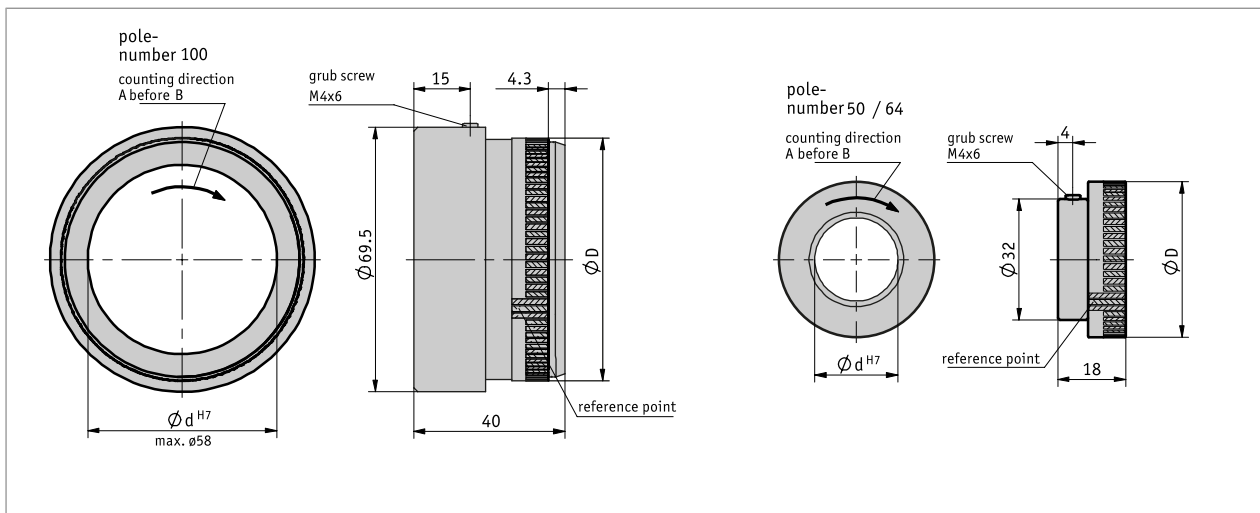


Magnetic ring MR200

Incrementally coded ring with permanently connected flange, pole length 2 mm

Profile

- Easy hollow-shaft mounting
- Rotary encoder system with IP67 protection class (in combination with MSK210)
- Up to 2000 pulses/revolution (8000 increments)
- With reference point as an option



Mechanical data

Feature	Technical data	Additional information
Flange	aluminum	

■ Dimensions

Pole	50	64	100
Diameter D [mm]	32.3	41.2	64.14
Scope [mm]	100	130	200
Speed [rpm]	≤15000	≤11500	≤7500

System data

Feature	Technical data	Additional information
Pole length	2 mm	
System accuracy	±0.1 ° at T _U = 20 ° C	
Measuring range	360 °	

Magnetic ring MR200

Incrementally coded ring with permanently connected flange, pole length 2 mm

■ pulses/revolution

"Pole number"	50	64	100	
Scaling factor of sensor	20	1000	1280	2000
	16	800	1024	1600
	10	500	640	1000
	8	400	512	800
	5	250	320	500
	4	200	256	400
	1	50	64	100

Table applies to the combination MR200 with MSK210

Ambient conditions

Feature	Technical data	Additional information
Ambient temperature	0 ... 60 °C -20 ... 70 °C	50, 64 pole number 100 pole number
Storage temperature	-20 ... 70 °C	
Relative humidity	100 %	condensation admissible
Protection category	IP67	EN 60529

Order

■ Ordering table

Feature	Ordering data	Spezifikation	Additional information
"Pole number "	A 50 64 100	50 poles 64 poles 100 poles others on request	hard ferrite hard ferrite flexible magnetic tape
bore/diameter	B 20	ø20 mm others on request	
type of fastening	C MNG ONG	hub thread without hub thread	
reference point	D 0 M	without with	

■ Order key



 Scope of delivery: MR200
