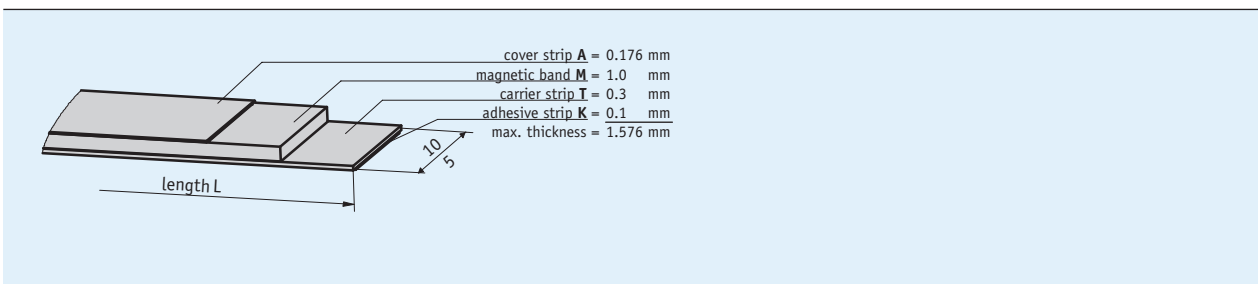
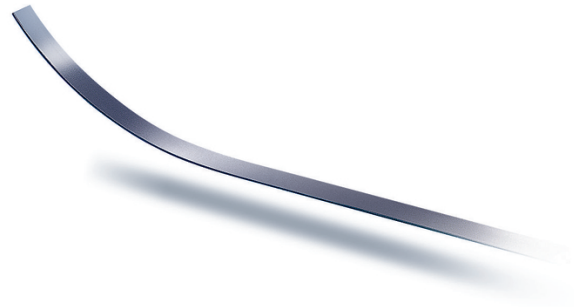


### Profile

- Easy adhesive mounting, self-assembly possible
- Reels up to 100 m available



### Mechanical data

Feature	Technical data	Additional information
Material	stainless steel	cover strip
Band width	10 mm or 5 mm	
Band thickness	1.4 mm	without cover strip
Mounting type	adhesive connection	double-sided tape premounted

### System data

Feature	Technical data	Additional information
Pole length	4 mm	
Measuring range	$\infty$	

### Ambient conditions

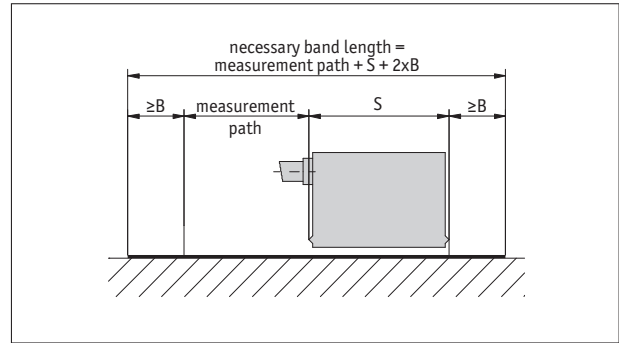
Feature	Technical data	Additional information
Ambient temperature	-20 ... 70 °C	
Storage temperature	-40 ... 70 °C	
Expansion coefficient	$(11 \pm 1) \times 10^{-6}/K$ $(16 \pm 1) \times 10^{-6}/K$	spring steel stainless steel
Relative humidity	100 %	condensation admissible

## Order

### Ordering information

The necessary tape length is calculated from:  
 Measured distance + sensor length "S" + (2 x forerun or overrun "B", resp.).

<b>S</b>	see the drawing of the sensor used
<b>B</b>	50 mm (forerun and overrun)



Symbolic representation

### Ordering table

Feature	Ordering data	Specification	Additional information
tapewidth	10	A in mm	
	5	A in mm	
Material carrier tape	St	B steel	
	VA	B stainless steel	
Length	...	C 00.10 ... 100.0 m, in intervals of 0.1 m	ordering detail, see "Ordering information"
Adhesive carrier tape	TM	D with	
	TO	D without	
Cover strip	AM	E with	
	AO	E without	

### Order key

MB400 -  -  -  -  -

Scope of delivery: MB400

#### Accessories:

Profile Rail PS  
 Protective band SB  
 Profile Rail PS1

[www.siko-global.com](http://www.siko-global.com)  
[www.siko-global.com](http://www.siko-global.com)  
[www.siko-global.com](http://www.siko-global.com)