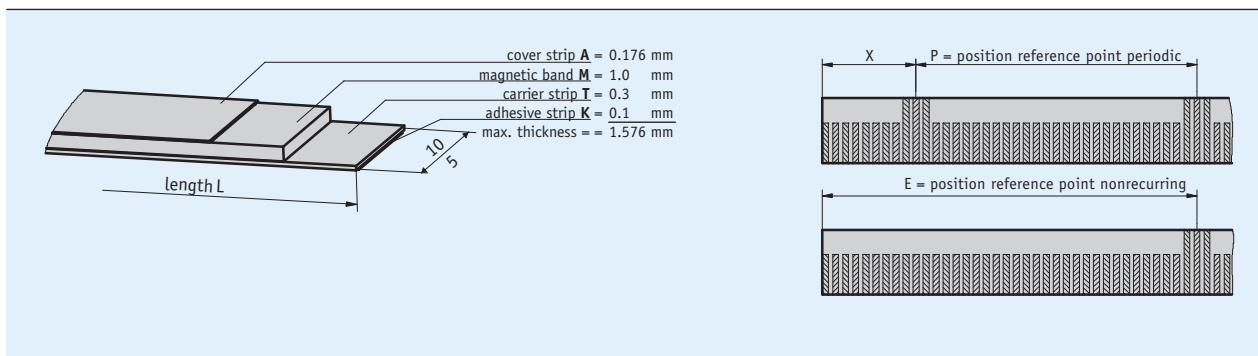
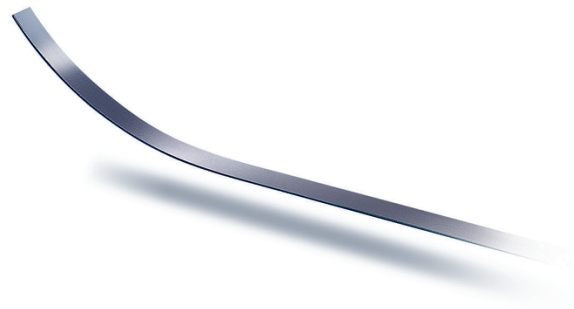


### Profile

- Easy adhesive mounting, self-assembly possible
- Reels up to 100 m available
- System accuracy up to 100 µm



### Mechanical data

Feature	Technical data	Additional information
Material	stainless steel	cover strip
Band width	10 mm or 5 mm	
Band thickness	1.4 mm	without cover strip
Mounting type	adhesive connection	premounted double-sided adhesive tape
Accuracy class	100 µm	

### ■ Measurement table of reference points

Reference points [m]	
Fixed distance X	0.032
Periodic P	0.032, 0.32
Onetime E	0.032, 0.064, 0.096, 0.128, 0.3, 0.32

### System data

Feature	Technical data	Additional information
Pole length	3.2 mm	
Measuring range	∞	

### Ambient conditions

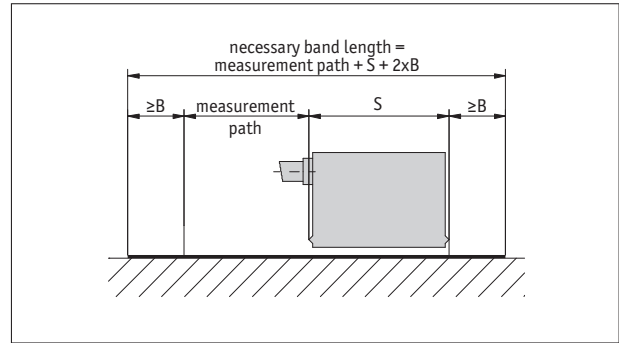
Feature	Technical data	Additional information
Ambient temperature	-20 ... 70 °C	
Storage temperature	-40 ... 70 °C	
Expansion coefficient	(11 ± 1) × 10 <sup>-6</sup> /K (16 ± 1) × 10 <sup>-6</sup> /K	spring steel stainless steel
Relative humidity	100 %	condensation admissible

**Order**

■ **Ordering information**

The necessary tape length is calculated from:  
Measured distance + sensor length "S" + (2 x forerun or overrun "B", resp.).

<b>S</b>	see the drawing of the sensor used
<b>B</b>	10 mm (forerun and overrun)



Symbolic representation

■ **Ordering table**

Feature	Ordering data	Specification	Additional information
Length	... <b>A</b>	000.10 ... 100.00 m, in intervals of 0.1 m	ordering detail, see "Ordering information"
tapewidth	10 <b>B</b>	in mm	
	5 <b>B</b>	in mm	
Material carrier tape	St <b>C</b>	steel	
	VA <b>C</b>	stainless steel	
Adhesive carrier tape	TM <b>D</b>	with	
	TO <b>D</b>	without	
Cover strip	AM <b>E</b>	with	stainless steel
	AO <b>E</b>	without	
Reference point	O <b>F</b>	without	at width 10 mm optional with flexible reference mark, see accessories
	E <b>F</b>	unique	only with 10 mm width
	P <b>F</b>	periodic	only with 10 mm width
Reference point position	... <b>G</b>	0.032, 0.064, 0.096, 0.128, 0.3, 0.32 in m	indicate only if reference point E is chosen, ≤5.0 m
	... <b>G</b>	0.032, 0.32 in m	indicate only if reference point P is chosen
	... <b>G</b>	others on request	

■ **Order key**



Scope of delivery: MB320/1

- Accessories:
- Profile Rail PS
  - Protective band SB
  - Profile Rail PS1
  - Installation aid ZB3054
  - Flexible reference mark

www.siko-global.com  
www.siko-global.com  
www.siko-global.com  
www.siko-global.com  
Order key 88434