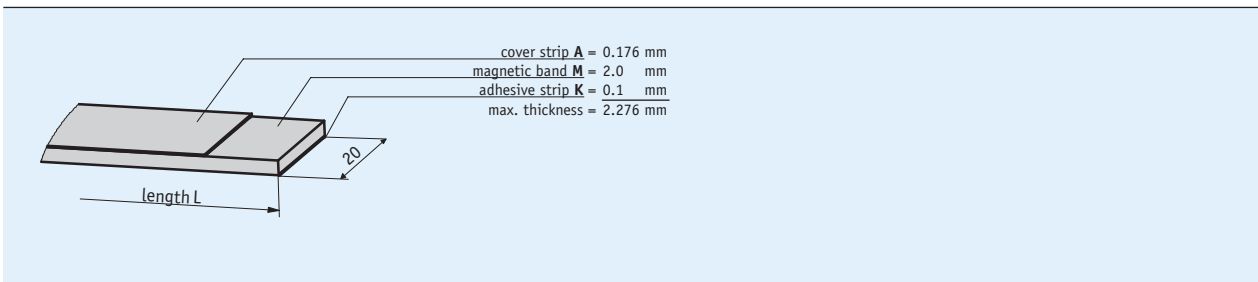
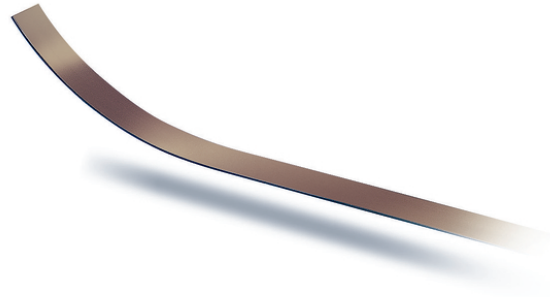


## Profile

- Easy adhesive mounting, self-assembly possible
- Without carrier strip



## Mechanical data

Feature	Technical data	Additional information
Material	stainless steel	cover strip
Band width	20 mm	
Band thickness	2 mm	without cover strip or adhesive tape
Mounting type	adhesive connection	double-sided tape premounted

## System data

Feature	Technical data	Additional information
Pole length	40 mm	
Measuring range	$\infty$	

## Ambient conditions

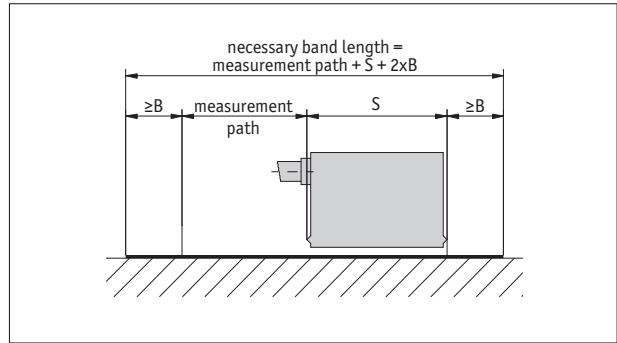
Feature	Technical data	Additional information
Ambient temperature	-20 ... 70 °C	
Storage temperature	-40 ... 70 °C	
Relative humidity	100 %	condensation admissible

**Order**

■ **Ordering information**

The necessary tape length is calculated from:  
Measured distance + sensor length "S" + (2 x forerun or overrun "B", resp.).

<b>S</b>	see the drawing of the sensor used
<b>B</b>	100 mm (forerun and overrun)



Symbolic representation

■ **Ordering table**

Feature	Ordering data	Specification	Additional information
Length	... <b>A</b>	00.10 ... 50.0 m, in intervals of 0.1 m	ordering detail, see "Ordering information"
Adhesive carrier tape	<b>TM</b>	with	
	<b>TO</b>	without	
Cover strip	<b>AO</b>	without	
	<b>AM</b>	with	

■ **Order key**

MB4000 -  -  -  -

Scope of delivery: MB4000