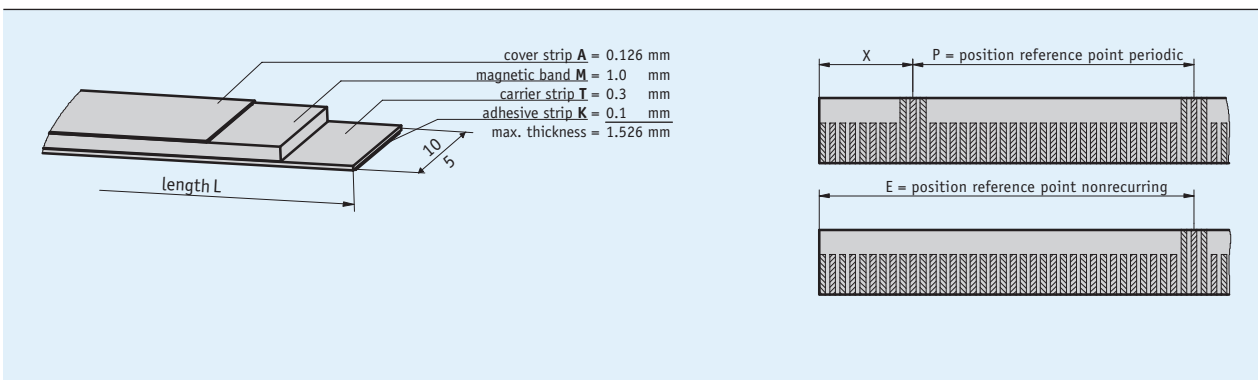
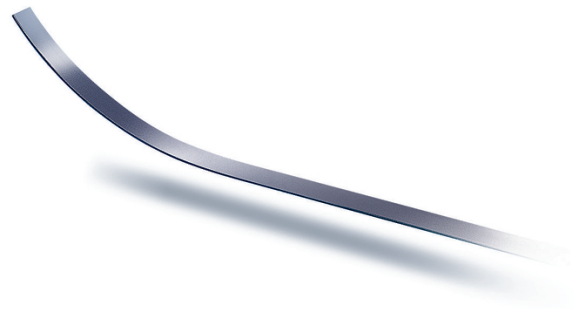


Profile

- Easy adhesive mounting, self-assembly possible
- Reels up to 100 m available
- 1 mm pole length
- System accuracy up to 10 μm



Mechanical data

Feature	Technical data	Additional information
Material	stainless steel	cover strip
Band width	10 mm or 5 mm	
Band thickness	1.4 mm	without cover strip
Mounting type	adhesive connection	double-sided tape premounted
Accuracy class	10 μm or 50 μm	

■ Measurement table of reference points

Reference points [m]	
Fixed distance X	0.02
Periodic P	0.02, 0.08, 0.1, 0.2, 0.25, 0.32, 0.5
Onetime E	0.02, 0.06, 0.1, 0.2, 0.3, 0.42, 0.5

System data

Feature	Technical data	Additional information
Pole length	1 mm	
Measuring range	∞	

Ambient conditions

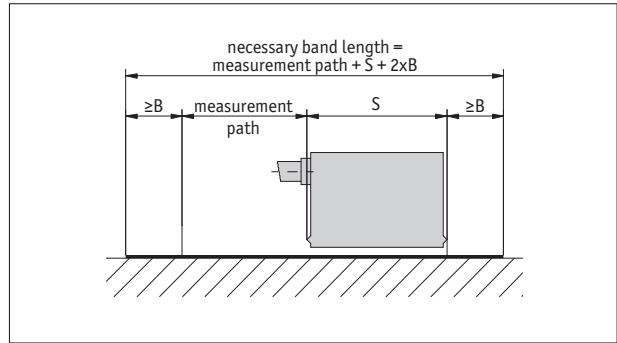
Feature	Technical data	Additional information
Ambient temperature	-20 ... 70 °C	
Storage temperature	-40 ... 70 °C	
Expansion coefficient	$(11 \pm 1) \times 10^{-6}/\text{K}$ $(16 \pm 1) \times 10^{-6}/\text{K}$	spring steel stainless steel
Relative humidity	100 %	condensation admissible

Order

Ordering information

The necessary tape length is calculated from:
 Measured distance + sensor length "S" + (2 x forerun and overrun "B", resp.)

S	see the drawing of the sensor used
B	10 mm (forerun and overrun)



Symbolic representation

Ordering table

Feature	Ordering data	Specification	Additional information
Length	... A	000.10 ... 100.00 m, in intervals of 0.1 m	ordering detail, see "Ordering information"
Width	10 B	10 mm	
	5 B	5 mm	
Accuracy	0.01 C	0.01 mm	deliverable length max. 4.0 m
	0.05 C	0.05 mm	deliverable length max. 100 m
Material carrier tape	St D	steel	
	VA D	stainless steel	
Adhesive carrier tape	TM E	with	
	TO E	without	
Cover strip	AM F	with	
	AO F	without	
Reference point	O G	without	
	E G	unique	only with 10 mm width
	P G	periodic	only with 10 mm width
Reference point position	... H	0.02, 0.06, 0.1, 0.2, 0.3, 0.42, 0.5 in m	indicate only if reference point E is chosen, ≤5.0 m
	... H	0.02, 0.08, 0.1, 0.2, 0.25, 0.32, 0.5 in m	indicate only if reference point P is chosen
	... H	others on request	

Order key

MB100/1 - - - - - - - -

Scope of delivery: MB100/1

Accessories:
 Installation aid ZB3054

www.siko-global.com