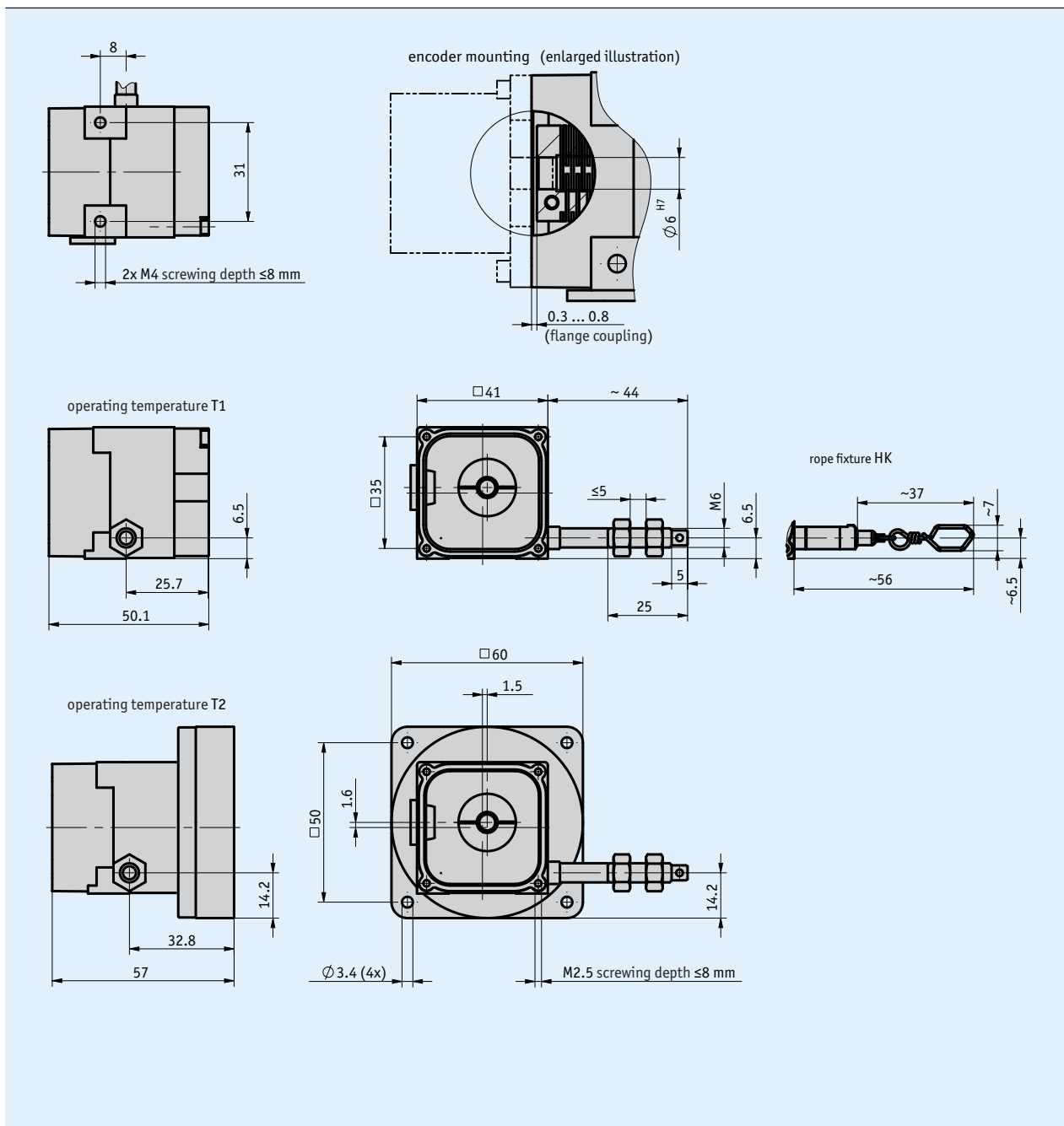
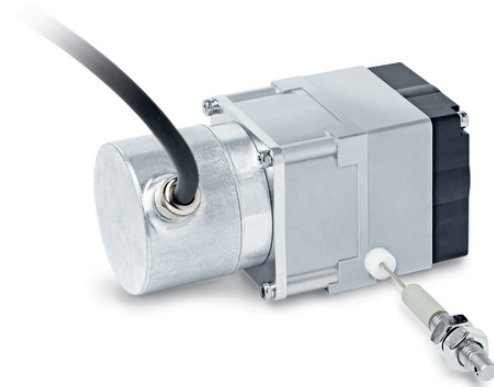


Wire-actuated encoder SG21

small design for rotary encoder mounting with 2000 mm measuring length

Profile

- Wire-actuated encoder for rotary encoder with max. $\varnothing 40$ mm flange
- Measurement lengths up to 2000 mm
- Sturdy zinc die-cast housing, robust design, stable measuring rope (stainless steel)
- Very compact design



Mechanical data

Feature	Technical data	Additional information
Housing	zinc die-cast	
Wire design	∅0.45 mm	steel wire (stainless), plastic coated
Extension force	≥2 N	T1 operating temperature
	≥11 N	T2 operating temperature
Measured distance/ rope drum revolution	100 mm	
Weight	~0.2 kg	

Electric data

Rotary encoders suitable for the SG21 are featured in RotoLine catalogue 2. Depending on the output signals the following are suitable for...

- Incremental outputs: IV2800
- Absolute outputs: WV36M/SSI, WV36M/CAN

The technical specifications for these devices are given in the respective data sheet. A number of transmitter versions of various manufacturers can also be used.

System data

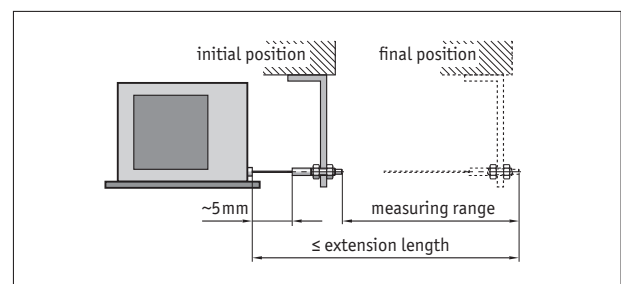
Feature	Technical data	Additional information
Repeat accuracy	±0.15 mm	per direction of approach
Travel speed	≤1 m/s	

Ambient conditions

Feature	Technical data	Additional information
Ambient temperature	-10 ... 80 °C	T1
	-40 ... 80 °C	T2

Hint for mounting

When securing the wire it must be ensured that the wire is straight and vertical in relation to the wire outlet.
 Recommendation: Only select the starting position after an unwound length of approx. 5 mm. This prevents the wire hitting the end stop when it is rewound.



symbolic depiction

Order

Ordering information

One or more system components are required:

Mounting Flange ZB4002

www.siko-global.com

Ordering table

Feature	Ordering data	Specification	Additional information
Rope fixture	GW	A	wire suspension with thread
	HK		wire suspension with hook
Encoder type	OG6	B	without encoder
	S6		a wide range of encoders can be used
Operating temperature	T1	C	-10 ... +80 °C
	T2		-40 ... +80 °C

Order key

SG21 - - -

Scope of delivery: SG21, Mounting instructions

Accessories:

Guide roller UR

www.siko-global.com

Wire extension piece SV

www.siko-global.com

Incremental encoder IV2800

www.siko-global.com

Absolute encoder WV36M/SSI

www.siko-global.com

Absolute encoder WV36M/CAN

www.siko-global.com