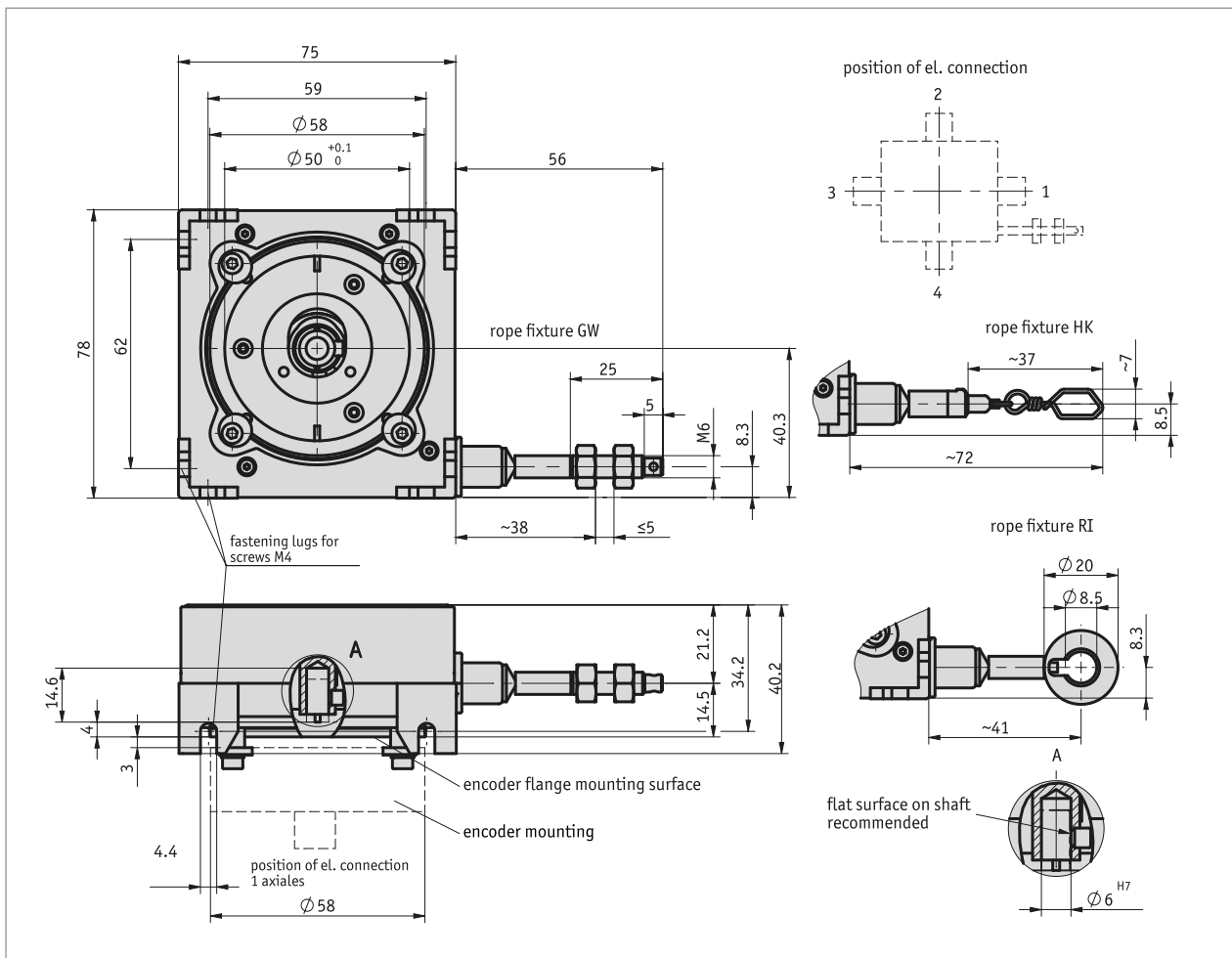
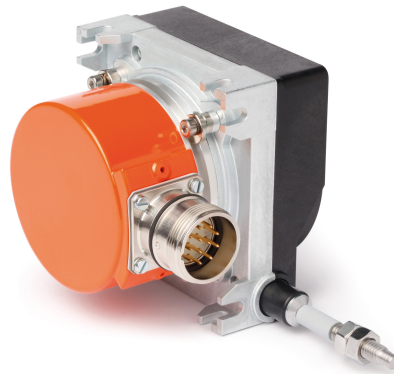


Profile

- Robust design
- Measuring lengths up to 3000 mm
- Wire-actuated encoder for rotary encoder with 58 mm servo-flange
- Variable mounting options
- Lockable ventilation holes against condensation
- Very robust measuring rope (stainless steel)
- High tightness at the rope outlet
- Also available as a safety version in combination with WV58MR rotary encoder



Mechanical data

Feature	Technical data	Additional information
Housing	zinc die-cast, plastic	
Wire design	$\varnothing 0.61$ mm $\varnothing 0.6$ mm	rustproof stainless steel, plastic-coated rustproof stainless steel
Extension force	≥ 9 N	
Measured distance/ rope drum revolution	200 mm	
Weight	~0.35 kg	

System data

Feature	Technical data	Additional information
Repeat accuracy	±0.15 mm	per direction of approach
Travel speed	≤800 mm/s	

Ambient conditions

Feature	Technical data	Additional information
Ambient temperature	-40 ... 80 °C	

Rotary encoders that can be combined with this wire-actuated encoder

You can find suitable rotary encoders on our website www.siko-global.com. They are suitable ...

- for analog outputs such as current or voltage: AV3650M, AV58M
- for incremental outputs: IV5800
- for absolute outputs: WV58MR, WV5800M, WV5850, WV3650M, WV36M/CAN

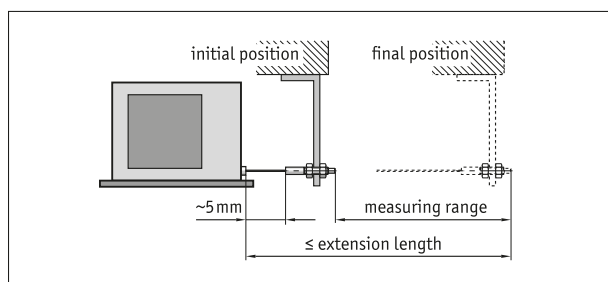
SIKO rotary encoders have the following interfaces, among others: incremental, SSI, CANopen, CANopen Safety, SAE J1939, various fieldbus protocols

The technical specifications for these devices can be found in the respective data sheets. In addition, numerous encoder variants from different manufacturers can be used.

Hint for mounting

When securing the wire it must be ensured that the wire is straight and vertical in relation to the wire outlet.

Recommendation: Only select the starting position after an unwound length of approx. 5 mm. This prevents the wire hitting the end stop when it is rewound.



Symbolic representation

Order

■ Ordering information

One or more system components are required:

Incremental encoder IV5800
 Absolute encoder AV58M
 Absolute encoder WV3650M
 Absolute encoder WV36M/CAN
 Absolute encoder WV5800M
 Absolute encoder WV5850
 Absolute encoder WV58MR

www.siko-global.com
www.siko-global.com
www.siko-global.com
www.siko-global.com
www.siko-global.com
www.siko-global.com
www.siko-global.com

■ Ordering table

Feature	Ordering data	Spezifikation	Additional information	
rope fixture	A	GW	wire suspension with thread	
		HK	wire suspension with hook	
		RI	wire suspension with ring	
wire design	B	S	stainless steel wire	
		SK	steel wire, plastic coated	
encoder type	C	OG6	without encoder	
		S6	a wide range of encoders can be used	see accessories
position of electrical connection	D	1	direction of wire outlet or axial	depending on the mounted encoder
		2	upward	
		3	opposite the wire outlet	
		4	downward	
		0	without encoder	

Order key

SG31 - - - -

A B C D



Scope of delivery:

SG31, Installation Instructions



Accessories you can find:

Guide roller UR
Wire extension piece SV

www.siko-global.com
www.siko-global.com