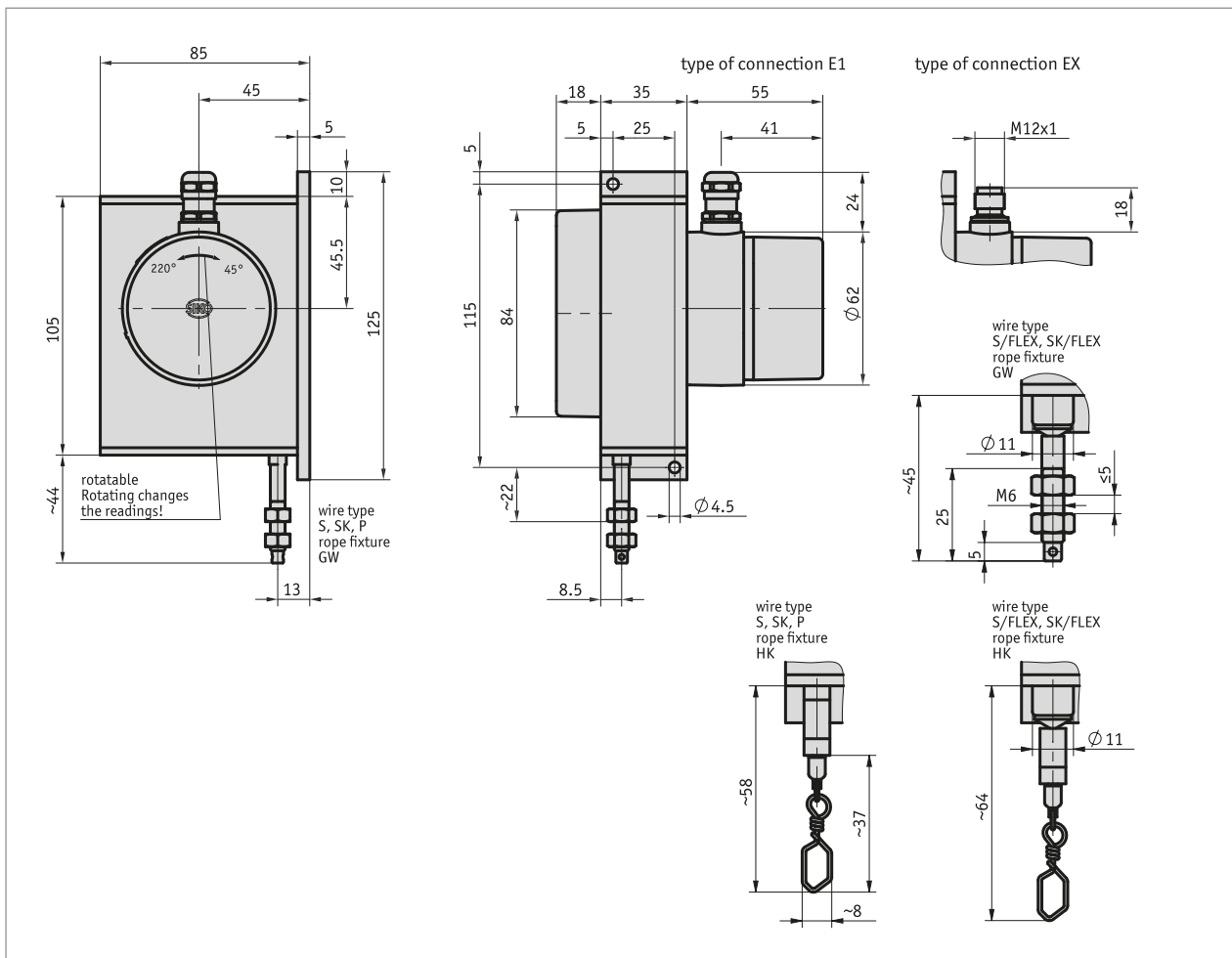


### Profile

- Robust design
- Measurement lengths up to max. 6000 mm
- Potentiometer, voltage or power output
- Housing made of aluminum and plastic
- Potentiometer/resistance range adapted to actual measurement length via an integrated gear
- Various wire types

ANALOG



### Mechanical data

Feature	Technical data	Additional information
Housing	aluminum/plastic	
Wire design	ø0.54 mm	rustproof stainless steel
	ø0.87 mm	rustproof stainless steel, plastic-coated
	ø1.05 mm	para-line
Extension force	≥8 N	
Measured distance/ rope drum revolution	200 mm	
Acceleration	≤23.5 m/s <sup>2</sup>	
Weight	~0.7 kg	

#### ■ Travel speed

Measuring range [mm]	750	1000	1250	1500	1750	2000	2250	2500	2750	3000	3250	3500	6000
Travel speed [mm/s]	≤200	≤300	≤300	≤400	≤490	≤500	≤600	≤700	≤800	≤800	≤900	≤1000	≤1000

### Electrical data

#### ■ Encoder potentiometer

Feature	Technical data	Additional information
Power rating	2 W at 70 °C	
resistance	1 kΩ	P01
	5 kΩ	P05
	10 kΩ	P10
Resistance tolerance	±5 %	
Linearity tolerance	±0.25 %	

#### ■ Transducer, power output

Feature	Technical data	Additional information
Operating voltage	10 ... 30 V DC	between I+ and I-, load ≤500 Ω
Output current	4 ... 20 mA	

#### ■ Transducer, voltage output

Feature	Technical data	Additional information
Operating voltage	15 ... 28 V DC at 36 mA without load	
Output voltage	0 ... 10 V DC	
resistance	2 ... 10 kΩ	against GND
Load	≤15 mA	

\* **Transducers** enable optimal adaptation of output current or output voltage to the measuring range. The measuring transformer is factory preset so that an output signal of 4 ... 20 mA (MWI) or 0 ... 10 V DC (MWU) is available between the start and end points of the measuring range.

### System data

Feature	Technical data	Additional information
Repeat accuracy	~0.5 mm	per direction of approach
Travel speed	see table	

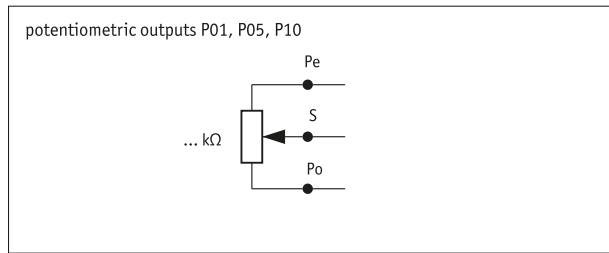
### Ambient conditions

Feature	Technical data	Additional information
Ambient temperature	-20 ... 80 °C	T1
	-40 ... 80 °C	T2 (drawing-in speed ≤800 mm/s)
Protection category	IP65 (potentiometer part)	EN 60529

### pin assignment

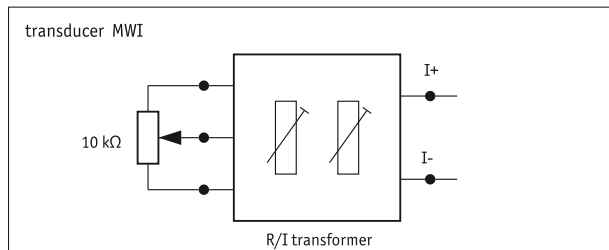
#### ■ Potentiometric outputs P10

Signal	E1 (terminal)	EX (connector pin)
Po	3	1
Pe	1	2
S	2	3
nc		4



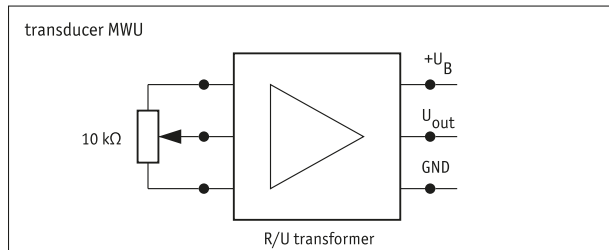
#### ■ MWI transducer

Signal	E1 (terminal)	EX (connector pin)
I+	1	1
I-	2	2
nc	3	3
nc		4



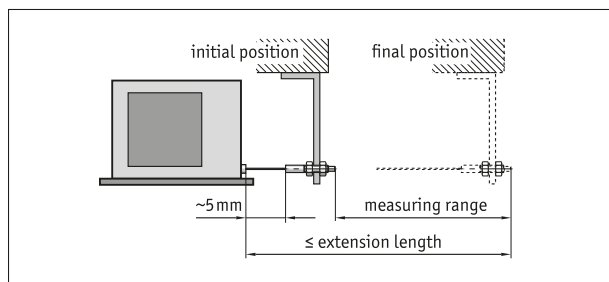
#### ■ MWU transducer

Signal	E1 (terminal)	EX (connector pin)
+24 V DC	1	1
GND	2	2
Uout	3	3
nc		4



### Hint for mounting

When securing the wire it must be ensured that the wire is straight and vertical in relation to the wire outlet.  
**Recommendation:** Only select the starting position after an unwound length of approx. 5 mm. This prevents the wire hitting the end stop when it is rewound.



Symbolic representation

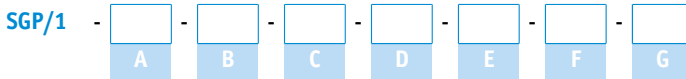
### Order

#### ■ Ordering table

Feature	Ordering data	Spezifikation	Additional information
Measuring range	A ...	750 ... 6000 mm, in steps of 250 mm	
rope fixture	B GW HK	wire suspension with thread wire suspension with hook	
wire design	C S	stainless steel wire	measuring range ≤ 6000 mm

Feature	Ordering data	Spezifikation	Additional information	
	SK	steel wire, plastic coated	measuring range ≤ 4000 mm	
	P	para-line, non-conducting, signal color	measuring range ≤ 2800 mm	
	S/FLEX	steel rope, flexible rope outlet	measuring range ≤ 6000 mm	
	SK/FLEX	stainless steel rope, plastic-coated, flexible rope outlet	measuring range ≤ 4000 mm	
Type of connection	D	E1 EX	PG7 cable gland for M12 connector	cable ø 3-6.5 mm
potentiometer type	E	02 03	10 helices, wire 10 helices, hybrid	only for P01, P05, or P10 analog output only for P01, P05, or P10 analog output
analog output	F	MWI MWU P01 P05 P10	transducer 4 ... 20 mA transducer 0 ... 10 V potentiometer 1 kΩ Potentiometer 5 kΩ potentiometer 10 kΩ	
operating temperature	G	T1 T2	-20 ... +80 °C -40 ... +80 °C	≤ feed speed 800 mm/s

### ■ Order key



#### Scope of delivery:

SGP/1, Installation Instructions



#### Accessories you can find:

Guide roller UR  
Wire extension piece SV  
Overview Mating connector  
Measurement display MA50  
Mating connector, 4-pole, socket

[www.siko-global.com](http://www.siko-global.com)  
[www.siko-global.com](http://www.siko-global.com)  
[www.siko-global.com](http://www.siko-global.com)  
[www.siko-global.com](http://www.siko-global.com)  
Order key 83419